

Price catalogue Turkey

Drinking water and heating installations

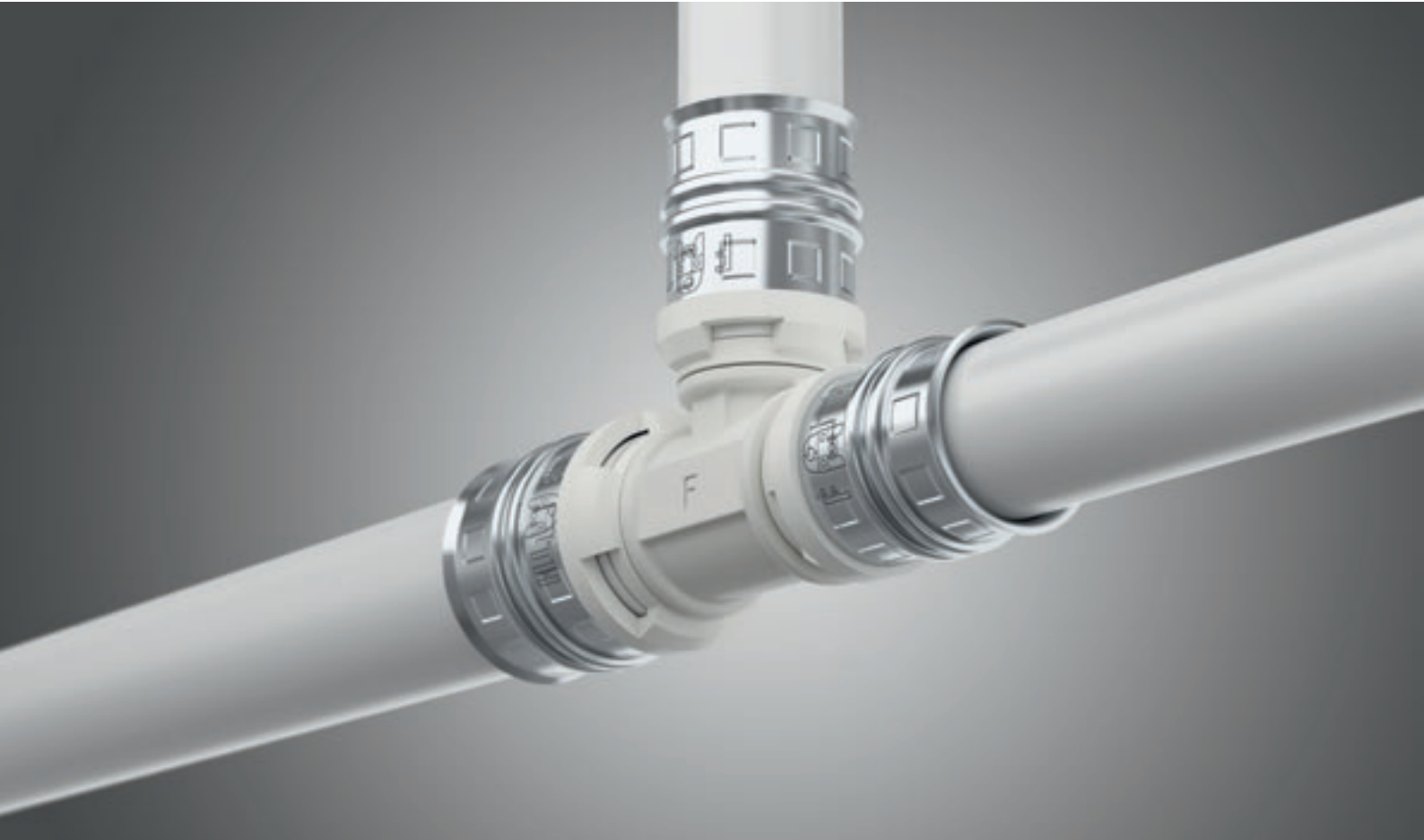


alpex-duo XS - alpex L - alpex-plus - ff-therm - profitherm

2020

alpex-duo[®] XS

Drinking water and heating installations



eXtra Safety – easy, secure and future-proof fitting

- **Greater flow rate**
Up to 30 percent larger cross-sectional surface for lower pressure loss.
- **Secure connection**
The leak function shows if a fitting has been left unpressed.
- **Premium material quality**
PPSU – high-performance plastic and lead-free premium brass for hygienically impeccable installations.
- **No calibration**
Install in three simple steps: cutting – fixation – pressing.
- **Easy identification**
Its unique laser engraving shows the possible two contours (F and TH) at a glance.

Table of contents

General information	4
alpex multilayer composite pipes	5
alpex-duo XS and alpex L	11
alpex-plus push-fit	39
alpex tools	53
ff-therm and profitherm solid plastic pipe system	59

General information

alpex pipe dimensions

DN			12	15	20	25	32	40	50	65
Outside diameter	D	[mm]	16	20	26	32	40	50	63	75
Wall thickness	th	[mm]	2.0	2.0	3.0	3.0	3.5	4.0	4.5	5.0
Inside diameter	d	[mm]	12	16	20	26	33	42	54	65
Water content		[l/m]	0.113	0.201	0.314	0.531	0.855	1.385	2.289	3.316

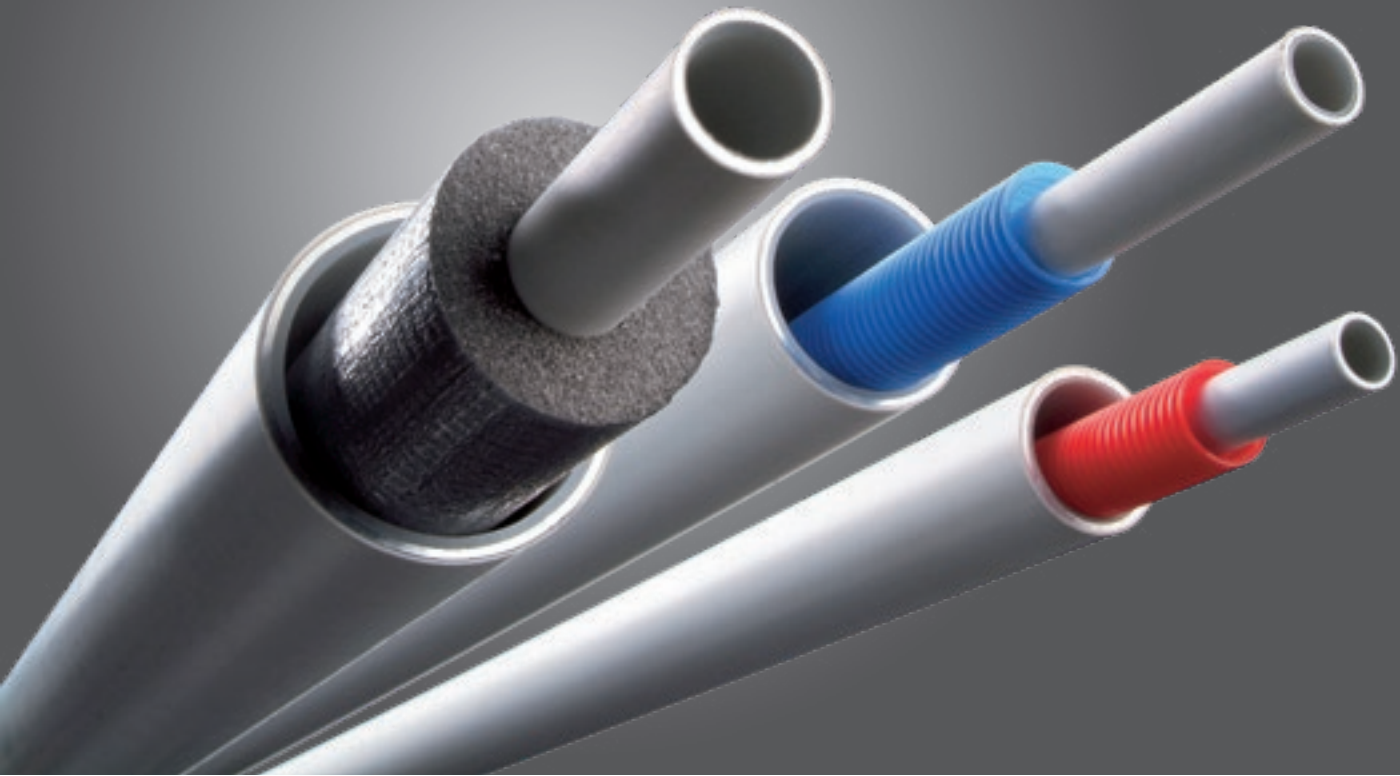
alpex material data

High-quality materials are used for drinking water installations:

	High-performance plastic PPSU	Lead-free dezincification-resistant brass CW724R	Dezincification-resistant brass CC770S
alpex-duo XS	✓	✓	
alpex-plus	✓	✓	
alpex L	✓		✓

General information on threads, dimensions and materials

Abbreviation	Meaning	According to
R	Male thread (conical)	DIN EN 10226-1
Rp	Female thread (cylindrical)	DIN EN 10226-1
G	Connection thread (cylindrical)	DIN EN ISO 228-1
DN	Nominal diameter	
NW	Nominal width	
MS	Brass	
PPSU	Polyphenylsulfone	



alpex multilayer composite pipes

- Permissible operating pressure at max. 10 bar
- Dimensions between 16 and 75 mm – an adequate multilayer pipe for each application
- Flexible combination with alpex press and push-fit fittings

alpeX multilayer composite pipes

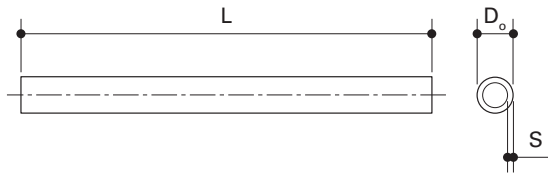
alpeX-duo XS multilayer composite pipe, white



Multilayer composite pipe, colour: white, in straight lengths made of cross-linked polyethylene (PE-Xb) as inner surface, longitudinally butt-welded aluminium pipe, and stabilised polyethylene (PE-HD) as outer surface for drinking water and heating system installations.

- Maximum constant operating pressure: 10 bar
- Maximum continuous operating temperature: 95 °C

Cat. no.	Description	D _o [mm]	S [mm]	L [m]	Weight [kg/bar]	QTY [m]	Gross ¹⁾ [€]
83516001	in straight lengths 16x2	16	2	5	0,61	75	2,55
83520001	in straight lengths 20x2	20	2	5	0,81	50	3,45
83526001	in straight lengths 26x3	26	3	5	1,46	25	5,40
83532001	in straight lengths 32x3	32	3	5	1,91	20	7,00



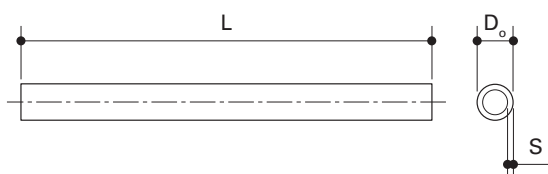
alpeX L multilayer composite pipe, white



Multilayer composite pipe, colour: white, in straight lengths made of cross-linked polyethylene (PE-Xb) as inner surface, longitudinally butt-welded aluminium pipe, and stabilised polyethylene (PE-HD) as outer surface for drinking water and heating system installations.

- Maximum constant operating pressure: 10 bar
- Maximum continuous operating temperature: 95 °C

Cat. no.	Description	D _o [mm]	S [mm]	L [m]	Weight [kg/bar]	QTY [m]	Gross ¹⁾ [€]
83540005	in straight lengths 40x3,5	40	3,5	5	2,83	25	9,95
83550005	in straight lengths 50x4,0	50	4	5	4,30	25	15,25
83563005	in straight lengths 63x4,5	63	4,5	5	6,36	15	24,00
83575005	in straight lengths 75x5,0	75	5	5	8,00	5	75,00



alpex multilayer composite pipes

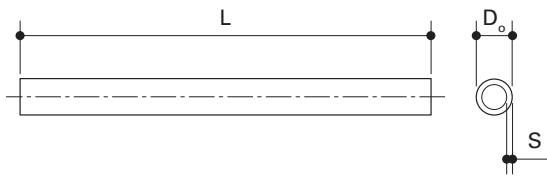


alpex- duo XS multilayer composite pipe, white

Multilayer composite pipe, colour: white, in coils made of cross-linked polyethylene (PE-Xb) as inner surface, longitudinally butt-welded aluminium pipe, and stabilised polyethylene (PE-HD) as outer surface for drinking water and heating system installations.

- Maximum constant operating pressure: 10 bar
- Maximum continuous operating temperature: 95 °C

Cat. no.	Description	D _o [mm]	S [mm]	L [m]	Weight [kg/coil]	QTY [m]	Gross ¹⁾ [€]
83516401	in coils 16x2	16	2	100	11,3	100	1,65
83516701	in coils 16x2	16	2	200	22,6	200	1,65
83520401	in coils 20x2	20	2	100	15,2	100	2,40
83526201	in coils 26x3	26	3	50	14,4	50	4,40
83532201	in coils 32x3	32	3	50	19,1	50	5,80



alpex multilayer composite pipes

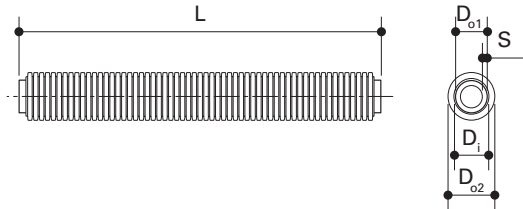


alpex-duo XS multilayer composite pipe with protective sheathing

Multilayer composite pipe, colour: white, in coils made of cross-linked polyethylene (PE-Xb) as inner surface, longitudinally butt-welded aluminium pipe, and stabilised polyethylene (PE-HD) as outer surface for drinking water and heating system installations, wrapped in PE-HD protective sheathing.

- Maximum constant operating pressure: 10 bar
- Maximum continuous operating temperature: 95 °C

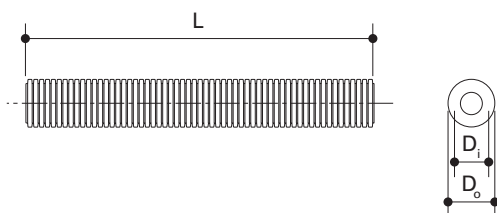
Cat. no.	Description	D _{o1} [mm]	S [mm]	D _{o2} [mm]	D _i [mm]	L [m]	Weight [kg]	QTY [m]	Gross ¹⁾ [€]
83616202	with protective sheathing - 16x2 - 24/19 red	16	2	24	19	50	8.60	50	2,85
83616203	with protective sheathing - 16x2 - 24/19 blue	16	2	24	19	50	8.60	50	2,85
83620202	with protective sheathing - 20x2 - 28/23 red	20	2	28	23	50	11.10	50	3,65
83620203	with protective sheathing - 20x2 - 28/23 blue	20	2	28	23	50	11.10	50	3,65



alpex protective sheathing red / blue / black

Protective sheathing made of PE-HD to insert alpex-duo and turatec multilayer composite pipes and provide additional protection against mechanical damage.

Cat. no.	Description	D _o [mm]	D _i [mm]	L [m]	Weight [kg]	QTY [m]	Gross ¹⁾ [€]
79916200	in coils 24/19 red for 16x2	24	19	100	6.20	100	0,75
79916201	in coils 24/19 blue for 16x2	24	19	100	6.20	100	0,75
79920200	in coils 28/23 red for 20x2	28	23	50	3.50	50	1,00
79920201	in coils 28/23 blue for 20x2	28	23	50	3.50	50	1,00
79825103	in coils 35/28 black for 25x2.3	35	28	50	5.40	50	1,25



alpex multilayer composite pipes

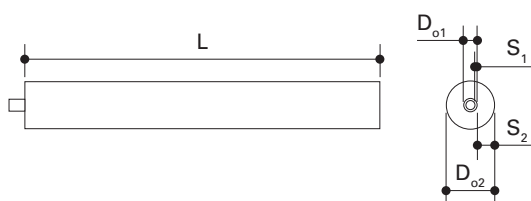


alpex-duo XS multilayer composite pipe, pre-insulated

Multilayer composite pipe, colour: white, in coils made of cross-linked polyethylene (PE-Xb) as inner surface, longitudinally butt-welded aluminium pipe, and stabilised polyethylene (PE-HD) as outer surface for drinking water and heating system installations, wrapped in pipe insulation made of flexible closed-cell PE foam with thermal conductivity group 040.

- Maximum constant operating pressure: 10 bar
- Maximum continuous operating temperature: 95 °C

Cat. no.	Description	D _{o1} [mm]	S ₁ [mm]	D _{o2} [mm]	S ₂ [mm]	L [m]	Weight [kg]	QTY [m]	Gross ¹⁾ [€]
83716223	grey 6 mm - 16x2	16	2	28	6	50	6.50	50	2,85
83720223	grey 6 mm - 20x2	20	2	32	6	50	9.00	50	3,75
83716214	grey 9 mm - 16x2	16	2	34	9	50	6.80	50	3,35
83720214	grey 9 mm - 20x2	20	2	38	9	50	9.20	50	4,25
83716217	grey 13 mm - 16x2	16	2	42	13	50	7.00	50	3,75
83720217	grey 13 mm - 20x2	20	2	46	13	50	9.30	50	4,65
83726117	grey 13 mm - 26x3	26	3	52	13	25	8.60	25	7,85
83732117	grey 13 mm - 32x3	32	3	58	13	25	11.30	25	10,00



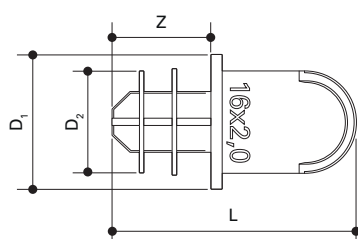
alpeX multilayer composite pipes



alpeX end plug, yellow

End plug to hygienically seal alpeX multilayer composite pipes during storage, transportation and construction phase according to DIN EN 806.

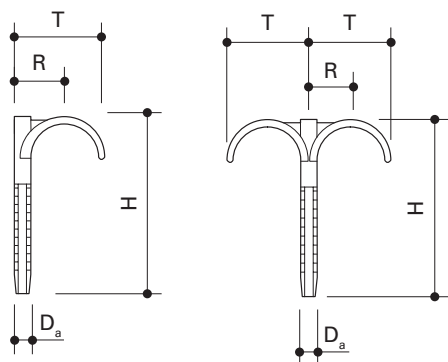
Cat. no.	Description	D ₁ [mm]	D ₂ [mm]	L [mm]	Z [mm]	Weight [kg]	QTY [pcs]	Gross ¹⁾ [€]
84916815	with lug for 16x2	16	12	29	12	0.001	10	0,28
84920815	with lug for 20x2	20	16	35	15	0.001	10	0,32
84926815	with lug for 26x3	26	20	38	18	0.002	5	0,39
84932815	with lug for 32x3	32	26	42	20	0.004	5	0,63



alpeX dowel hook

Plastic dowel hook to secure alpeX pipes, pipes with protective sheathing and pre-insulated pipes on the floor.

Cat. no.	Description	D _o [mm]	R [mm]	D [mm]	H [mm]	Weight [kg]	QTY [pcs]	Gross ¹⁾ [€]
75912114	60 mm 12-20 mm - single	8	20	40	60	0.01	100	0,45
75912116	90 mm 12-20 mm - single	8	20	40	90	0.01	100	0,55
75912115	60 mm 12-20 mm - double	8	20	40	60	0.01	100	0,55
75912117	90 mm 12-20 mm - double	8	20	40	90	0.01	100	0,70





alpex-duo[®] XS press fittings in 16 - 32 mm

NEW

eXtra Safety – easy, secure and future-proof fitting

- Greater flow rate – up to 30 percent
- Secure connection – thanks to leak function
- Premium material quality – lead-free
- No calibration – only three steps for installation
- Easy identification – unique laser engraving

alpex L press fittings in 40 - 75 mm

- Perfect supplement in large dimensions from 40 to 75 mm

alpex-duo® XS / alpex L

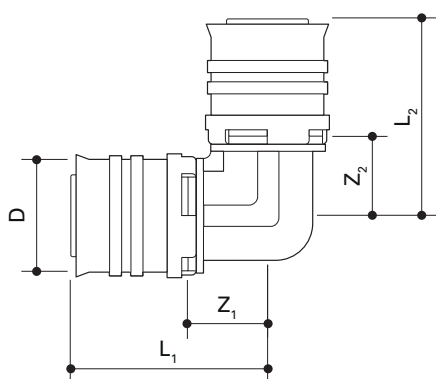


alpex-duo XS elbow 90°

Pressing contours: **F TH**

90° elbow made of PPSU for drinking water and heating system installations featuring white fixation rings with integrated inspection holes, fixed stainless steel pressing sleeves and leak function.

Cat. no.	Description	D [mm]	L ₁ [mm]	L ₂ [mm]	Z ₁ [mm]	Z ₂ [mm]	Weight [kg]	QTY [Pcs]	Gross ¹⁾ [€]
82816200	16-16 PPSU	16	37	37	13	13	0,025	10	3,65
82820200	20-20 PPSU	20	39	39	14	14	0,034	10	4,40
82826200	26-26 PPSU	26	51	51	18	18	0,055	5	7,05
82832200	32-32 PPSU	32	56	56	22	22	0,073	5	10,15

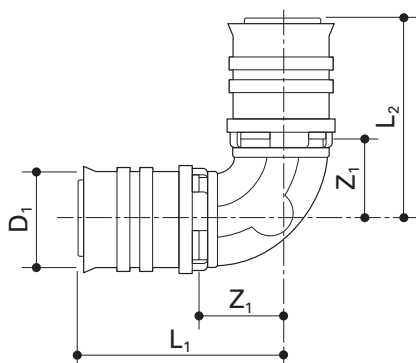


alpex-duo XS bend 90°

Pressing contours: **F TH**

90° bend made of dezincification-resistant brass for drinking water and heating system installations featuring white fixation rings with integrated inspection holes, fixed stainless steel pressing sleeves and leak function.

Cat. no.	Description	D [mm]	L ₁ [mm]	L ₂ [mm]	Z ₁ [mm]	Z ₂ [mm]	Weight [kg]	QTY [Pcs]	Gross ¹⁾ [€]
8291620201	16-16 MS	16	41	41	18	18	0,062	10	13,40
8292020201	20-20 MS	20	42	42	18	18	0,082	10	14,90
8292620201	26-26 MS	26	52	52	20	20	0,127	5	16,80
8293220201	32-32 MS	32	56	56	24	24	0,180	5	19,30



alpex-duo® XS / alpex L

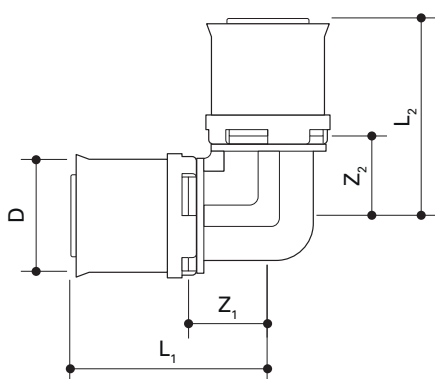


alpex L elbow 90°

Pressing contours: **F** **TH**

90° elbow made of PPSU or dezincification-resistant brass for drinking water and heating system installations featuring white fixation rings with integrated inspection holes, fixed stainless steel pressing sleeves and leak function.

Cat. no.	Description	D [mm]	L ₁ [mm]	L ₂ [mm]	Z ₁ [mm]	Z ₂ [mm]	Weight [kg]	QTY [Pcs]	Gross ¹⁾ [€]
88440200	40-40 PPSU	40	66	66	27	27	0,132	3	29,50
88450200	50-50 PPSU	50	80	80	29	29	0,204	2	35,90
88463200	63-63 PPSU	63	91	91	36	36	0,289	1	70,50
86775200	75-75 MS	75	105	105	51	51	2,128	1	138,50

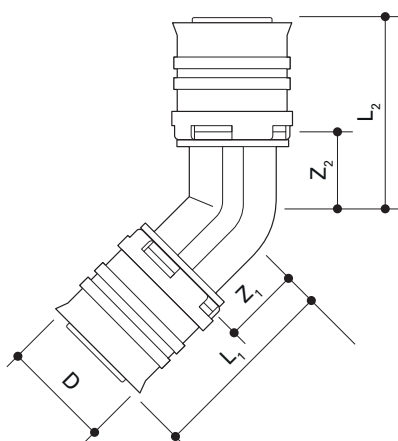


alpex-duo XS elbow 45°

Pressing contours: **F** **TH**

45° elbow made of PPSU for drinking water and heating system installations featuring white fixation rings with integrated inspection holes, fixed stainless steel pressing sleeves and leak function.

Cat. no.	Description	D [mm]	L ₁ [mm]	L ₂ [mm]	Z ₁ [mm]	Z ₂ [mm]	Weight [kg]	QTY [Pcs]	Gross ¹⁾ [€]
82826201	26-26 PPSU	26	47	47	12	12	0,053	5	7,10
82832201	32-32 PPSU	32	49	49	15	15	0,069	5	10,15



alpex-duo® XS / alpex L

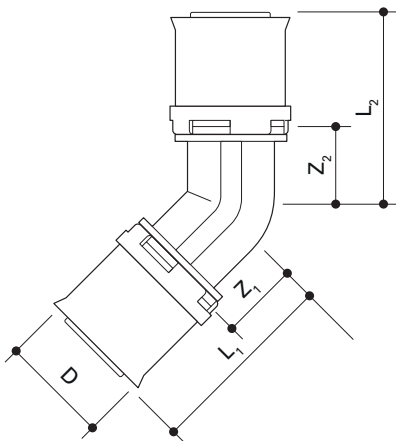


alpex L elbow 45°

Pressing contours: **F** **TH**

45° elbow made of PPSU or dezincification-resistant brass for drinking water and heating system installations featuring white fixation rings with integrated inspection holes, fixed stainless steel pressing sleeves and leak function.

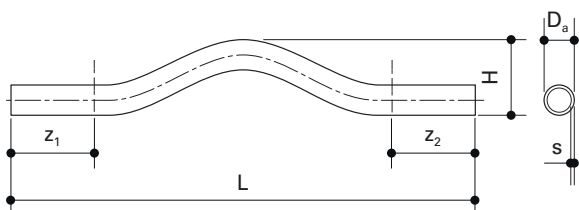
Cat. no.	Description	D [mm]	L ₁ [mm]	L ₂ [mm]	Z ₁ [mm]	Z ₂ [mm]	Weight [kg]	QTY [Pcs]	Gross ¹⁾ [€]
88440201	40-40 PPSU	40	55	55	15	15	0,123	3	29,20
88450201	50-50 PPSU	50	66	66	17	17	0,190	2	35,90
88463201	63-63 PPSU	63	73	73	19	19	0,266	1	69,00
86775201	75-75 MS	75	92	92	39	39	1,793	1	136,50



alpex multilayer composite pipe bridge, white

Pre-bent multilayer composite pipe in white to create pipe crossings on one level.

Cat. no.	Description	D _a [mm]	S [mm]	L [mm]	H [mm]	Z ₁ [mm]	Z ₂ [mm]	Weight [kg/Pcs]	QTY [Pcs]	Gross ¹⁾ [€]
75900116	pipe bridge white 16x2	16	2	305	47	25	25	0,050	1	2,05
75900120	pipe bridge white 20x2	20	2	310	51	30	30	0,060	1	2,50
75900126	pipe bridge white 26x3	26	3	387	58	50	50	0,160	1	4,95



alpex-duo® XS / alpex L

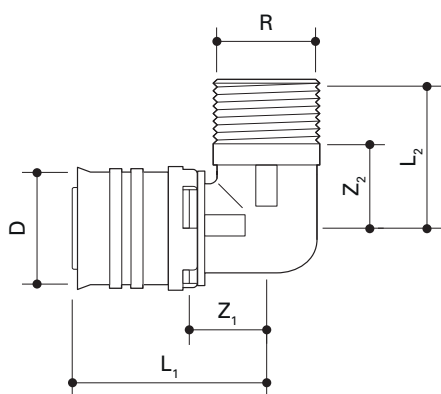


alpex-duo XS elbow with MT

Pressing contours: **F** **TH**

Male thread elbow adapter according to DIN EN 10226-1 made of dezincification-resistant brass for drinking water and heating system installations featuring a white fixation ring with integrated inspection holes, fixed stainless steel pressing sleeve and leak function.

Cat. no.	Description	D [mm]	R ["]	L ₁ [mm]	L ₂ [mm]	Z ₁ [mm]	Z ₂ [mm]	Weight [kg]	QTY [Pcs]	Gross ¹⁾ [€]
8291678201	16-R1/2 MS	16	1/2	47	30	20	17	0,075	10	5,55
8292078201	20-R1/2 MS	20	1/2	48	30	20	17	0,090	10	9,15
8292078301	20-R3/4 MS	20	3/4	48	30	20	15	0,103	10	9,95
8292678301	26-R3/4 MS	26	3/4	62	36	25	21	0,145	5	11,35
8293278401	32-R1 MS	32	1	57	43	20	21	0,194	5	19,50

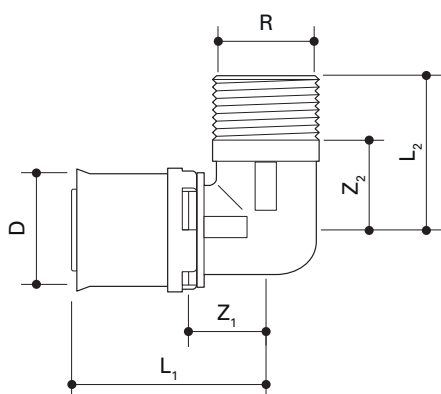


alpex L elbow with MT

Pressing contours: **F** **TH**

Male thread elbow adapter according to DIN EN 10226-1 made of dezincification-resistant brass for drinking water and heating system installations featuring a white fixation ring with integrated inspection holes, fixed stainless steel pressing sleeve and leak function.

Cat. no.	Description	D [mm]	R ["]	L ₁ [mm]	L ₂ [mm]	Z ₁ [mm]	Z ₂ [mm]	Weight [kg]	QTY [Pcs]	Gross ¹⁾ [€]
86740785	40-R1 1/4 MS	40	1 1/4	73	55	32	36	0,561	3	39,50
86750786	50-R1 1/2 MS	50	1 1/2	82	55	33	36	0,753	2	79,00



alpeX-duo® XS / alpeX L

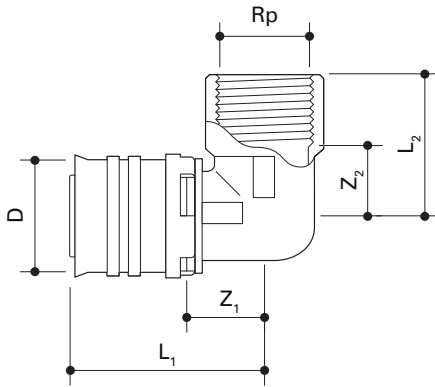


alpeX-duo XS elbow with FT

Pressing contours: **F TH**

Female thread elbow adapter according to DIN EN 10226-1 made of dezincification-resistant brass for drinking water and heating system installations featuring a white fixation ring with integrated inspection holes, fixed stainless steel pressing sleeve and leak function.

Cat. no.	Description	D [mm]	Rp ["]	L ₁ [mm]	L ₂ [mm]	Z ₁ [mm]	Z ₂ [mm]	Weight [kg]	QTY [Pcs]	Gross ¹⁾ [€]
8291679201	16-Rp1/2 MS	16	1/2	30	41	17	23	0,083	10	5,80
8292079201	20-Rp1/2 MS	20	1/2	30	42	17	23	0,092	10	8,00
8292079301	20-Rp3/4 MS	20	3/4	30	45	15	23	0,116	10	9,35
8292679301	26-Rp3/4 MS	26	3/4	36	54	21	21	0,152	5	11,35
8293279401	32-Rp1 MS	32	1	45	57	28	23	0,209	5	17,90

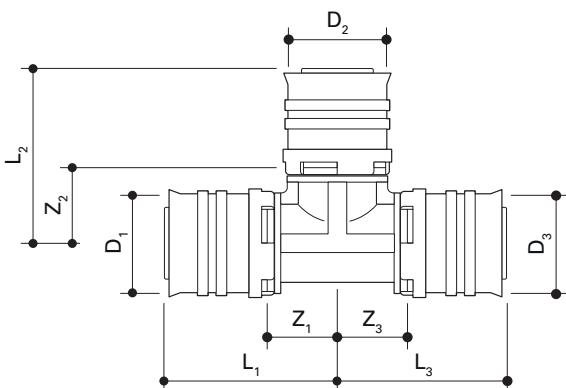


alpeX-duo XS tee

Pressing contours: **F TH**

Tee made of PPSU for drinking water and heating system installations featuring white fixation rings with integrated inspection holes, fixed stainless steel pressing sleeves and leak function.

Cat. no.	Description	D ₁ [mm]	D ₂ [mm]	D ₃ [mm]	L ₁ [mm]	L ₂ [mm]	L ₃ [mm]	Z ₁ [mm]	Z ₂ [mm]	Z ₃ [mm]	Weight [kg]	QTY [Pcs]	Gross ¹⁾ [€]
82816300	16-16-16 PPSU	16	16	16	38	38	38	13	13	13	0,037	10	5,00
82820300	20-20-20 PPSU	20	20	20	40	40	40	14	14	14	0,049	10	6,90
82826300	26-26-26 PPSU	26	26	26	51	51	51	18	18	18	0,081	5	9,55
82832300	32-32-32 PPSU	32	32	32	55	55	55	22	22	22	0,105	5	12,90



alpex-duo® XS / alpex L

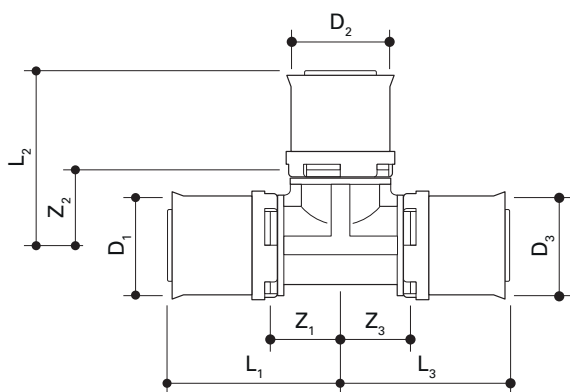


alpex L tee

Pressing contours: **F** **TH**

Tee made of PPSU or dezincification-resistant brass for drinking water and heating system installations featuring white fixation rings with integrated inspection holes, fixed stainless steel pressing sleeves and leak function.

Cat. no.	Description	D ₁ [mm]	D ₂ [mm]	D ₃ [mm]	L ₁ [mm]	L ₂ [mm]	L ₃ [mm]	Z ₁ [mm]	Z ₂ [mm]	Z ₃ [mm]	Weight [kg]	QTY [Pcs]	Gross ¹⁾ [€]
88440300	40-40-40 PPSU	40	40	40	67	67	67	27	27	27	0,194	3	39,00
88450300	50-50-50 PPSU	50	50	50	80	80	80	31	31	31	0,298	2	49,00
88463300	63-63-63 PPSU	63	63	63	89	89	89	41	41	41	0,462	1	75,00
86775300	75-75-75 MS	75	75	75	105	105	105	51	51	51	3,005	1	206,50



alpex-duo® XS / alpex L

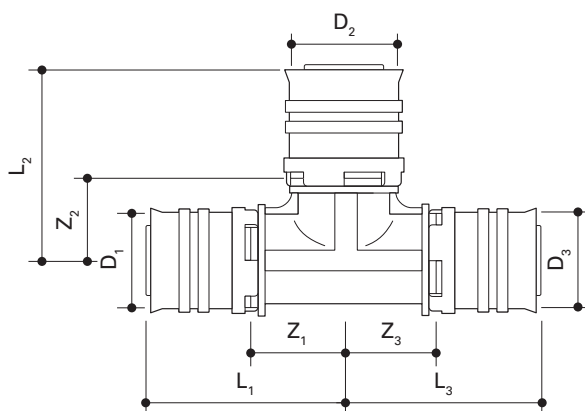


alpex-duo XS tee reduced

Pressing contours: **F** **TH**

Reduced tee made of PPSU for drinking water and heating system installations featuring white fixation rings with integrated inspection holes, fixed stainless steel pressing sleeves and leak function.

Cat. no.	Description	D ₁ [mm]	D ₂ [mm]	D ₃ [mm]	L ₁ [mm]	L ₂ [mm]	L ₃ [mm]	Z ₁ [mm]	Z ₂ [mm]	Z ₃ [mm]	Weight [kg]	QTY [Pcs]	Gross ¹⁾ [€]
82816350	16-20-16 PPSU	16	20	16	39	39	39	15	13	15	0,041	10	7,00
82820333	20-16-16 PPSU	20	16	16	37	37	37	13	13	13	0,041	10	5,95
82820330	20-16-20 PPSU	20	16	20	38	38	38	13	13	13	0,045	10	5,95
82820303	20-20-16 PPSU	20	20	16	39	39	39	15	15	15	0,045	10	6,35
82820360	20-26-20 PPSU	20	26	20	42	48	42	17	15	17	0,096	5	7,85
82826335	26-16-20 PPSU	26	16	20	50	50	50	20	25	20	0,056	5	9,75
82826330	26-16-26 PPSU	26	16	26	46	42	46	13	18	13	0,065	5	9,00
82826353	26-20-16 PPSU	26	20	16	44	43	44	16	18	16	0,057	5	9,70
82826355	26-20-20 PPSU	26	20	20	45	43	45	16	18	16	0,060	5	9,00
82826350	26-20-26 PPSU	26	20	26	48	42	48	15	18	15	0,070	5	9,60
82826303	26-26-16 PPSU	26	26	16	47	47	47	18	18	18	0,068	5	9,85
82826305	26-26-20 PPSU	26	26	20	47	47	47	18	18	18	0,070	5	10,15
82832330	32-16-32 PPSU	32	16	32	47	44	47	13	20	13	0,080	5	13,00
82832356	32-20-26 PPSU	32	20	26	49	45	49	16	21	16	0,080	5	14,00
82832350	32-20-32 PPSU	32	20	32	48	45	48	15	20	15	0,085	5	13,60
82832366	32-26-26 PPSU	32	26	26	52	55	52	18	21	18	0,091	5	13,00
82832360	32-26-32 PPSU	32	26	32	51	54	51	18	21	18	0,107	5	14,00



alpex-duo® XS / alpex L

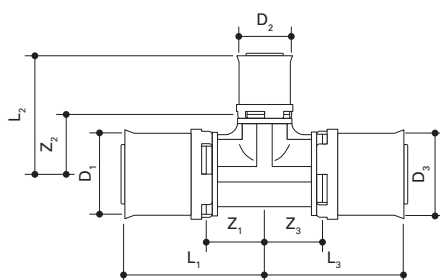


alpex L tee reduced

Pressing contours: **F** **TH**

Reduced tee made of PPSU or dezincification-resistant brass for drinking water and heating system installations featuring white fixation rings with integrated inspection holes, fixed stainless steel pressing sleeves and leak function. Can be pressed using the F-contour, the dimensions smaller than or equal to 32 mm also with the TH pressing contour.

Cat. no.	Description	D ₁ [mm]	D ₂ [mm]	D ₃ [mm]	L ₁ [mm]	L ₂ [mm]	L ₃ [mm]	Z ₁ [mm]	Z ₂ [mm]	Z ₃ [mm]	Weight [kg]	QTY [Pcs]	Gross ¹⁾ [€]
82840350	40-20-40 PPSU	40	20	40	57	50	57	17	25	17	0,141	3	24,20
82840360	40-26-40 PPSU	40	26	40	60	59	60	20	25	20	0,154	3	26,00
82840370	40-32-40 PPSU	40	32	40	64	59	64	24	25	24	0,170	3	27,90
82850350	50-20-50 PPSU	50	20	50	71	57	71	33	33	33	0,223	2	29,75
82850360	50-26-50 PPSU	50	26	50	74	65	74	33	33	33	0,239	2	31,20
82850370	50-32-50 PPSU	50	32	50	76	65	76	33	33	33	0,262	2	33,50
88450380	50-40-50 PPSU	50	40	50	75	72	75	26	31	26	0,260	2	47,00
82863370	63-32-63 PPSU	63	32	63	82	73	82	41	41	41	0,338	1	47,00
88463380	63-40-63 PPSU	63	40	63	85	80	85	41	41	41	0,373	1	70,00
88463390	63-50-63 PPSU	63	50	63	90	89	90	41	41	41	0,420	1	80,00
86775380	75-40-75 MS	75	40	75	104	92	104	51	51	51	2,869	1	192,00
86775390	75-50-75 MS	75	50	75	104	100	104	51	51	51	2,815	1	198,00



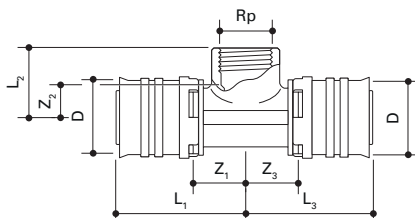
alpex-duo XS tee with FT

Pressing contours: **F** **TH**



Female thread tee adapter according to DIN EN 10226-1 made of dezincification-resistant brass for drinking water and heating system installations featuring white fixation rings with integrated inspection holes, fixed stainless steel pressing sleeves and leak function.

Cat. no.	Description	D [mm]	Rp ["]	L ₁ [mm]	L ₂ [mm]	L ₃ [mm]	Z ₁ [mm]	Z ₂ [mm]	Z ₃ [mm]	Weight [kg]	QTY [Pcs]	Gross ¹⁾ [€]
8291674201	16-Rp1/2-16 MS	16	1/2	43	18	43	19	5	19	0,106	10	11,00
8292074201	20-Rp1/2-20 MS	20	1/2	44	19	44	19	6	19	0,129	10	12,50
8292074301	20-Rp3/4-20 MS	20	3/4	45	19	45	20	6	20	0,151	10	13,95
8292674201	26-Rp1/2-26 MS	26	1/2	53	20	53	19	7	19	0,180	5	14,75
8292674301	26-Rp3/4-26 MS	26	3/4	56	22	56	22	7	22	0,199	5	16,10
8293274201	32-Rp1/2-32 MS	32	1/2	53	26	53	22	11	22	0,216	5	19,50
8293274301	32-Rp3/4-32 MS	32	3/4	56	26	56	22	11	22	0,239	5	19,50
8293274401	32-Rp1-32 MS	32	1	57	26	57	22	11	22	0,267	5	21,70



¹⁾Gross price per piece, per set, per metre

alplex-duo® XS / alplex L

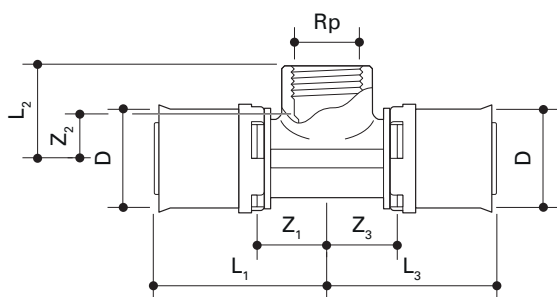


alplex L tee with FT

Pressing contours: **F TH**

Female thread tee adapter according to DIN EN 10226-1 made of dezincification-resistant brass for drinking water and heating system installations featuring white fixation rings with integrated inspection holes, fixed stainless steel pressing sleeves and leak function.

Cat. no.	Description	D [mm]	Rp ["]	L ₁ [mm]	L ₂ [mm]	L ₃ [mm]	Z ₁ [mm]	Z ₂ [mm]	Z ₃ [mm]	Weight [kg]	QTY [Pcs]	Gross ¹⁾ [€]
86740742	40-Rp1/2-40 MS	40	1/2	69	36	69	28	23	28	0,580	3	45,00
86740743	40-Rp3/4-40 MS	40	3/4	69	36	69	28	23	28	0,548	3	57,00
86750743	50-Rp3/4-50 MS	50	3/4	82	46	82	33	31	33	0,960	2	55,00
86763744	63-Rp1-63 MS	63	1	89	51	89	41	34	41	1,620	1	108,00
86775744	75-Rp1-75 MS	75	1	104	62	104	51	52	51	2,611	1	190,00

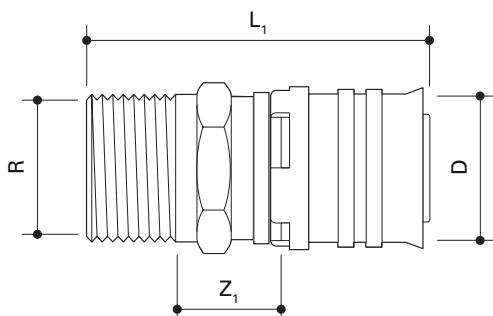


alplex-duo XS adapter with MT

Pressing contours: **F TH**

Male thread adapter according to DIN EN 10226-1 made of dezincification-resistant brass for drinking water and heating system installations featuring a white fixation ring with integrated inspection holes, fixed stainless steel pressing sleeve and leak function.

Cat. no.	Description	D [mm]	R ["]	L ₁ [mm]	Z ₁ [mm]	Weight [kg]	QTY [Pcs]	Gross ¹⁾ [€]
8291676201	16-R1/2 MS	16	1/2	51	13	0,062	10	4,30
8291676301	16-R3/4 MS	16	3/4	50	12	0,080	10	5,60
8292076201	20-R1/2 MS	20	1/2	52	13	0,069	10	4,80
8292076301	20-R3/4 MS	20	3/4	52	11	0,086	10	5,10
8292076401	20-R1 MS	20	1	56	13	0,141	10	7,40
8292676301	26-R3/4 MS	26	3/4	59	11	0,102	5	6,30
8292676401	26-R1 MS	26	1	64	13	0,154	5	10,50
8293276401	32-R1 MS	32	1	64	13	0,164	5	9,55
8293276501	32-R1 1/4 MS	32	1 1/4	67	15	0,216	5	13,95



alpex-duo® XS / alpex L

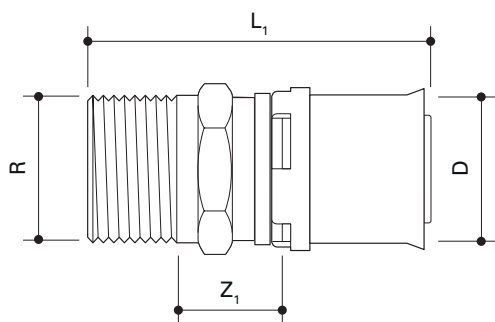


alpex L adapter with MT

Pressing contours: **F** **TH**

Male thread adapter according to DIN EN 10226-1 made of dezincification-resistant brass for drinking water and heating system installations featuring a white fixation ring with integrated inspection holes, fixed stainless steel pressing sleeve and leak function.

Cat. no.	Description	D [mm]	R ["]	L ₁ [mm]	Z ₁ [mm]	Weight [kg]	QTY [Pcs]	Gross ¹⁾ [€]
86740764	40-R1 MS	40	1	74	16	0,269	3	24,00
86740765	40-R1 1/4 MS	40	1 1/4	76	16	0,338	3	25,00
86740766	40-R1 1/2 MS	40	1 1/2	76	16	0,369	3	39,00
86750766	50-R1 1/2 MS	50	1 1/2	85	19	0,467	2	40,00
86750768	50-R2 MS	50	2	89	17	0,584	2	54,00
86763768	63-R2 MS	63	2	94	16	0,775	1	55,00
86775769	75-R2 1/2 MS	75	2 1/2	101	20	1,235	1	107,00

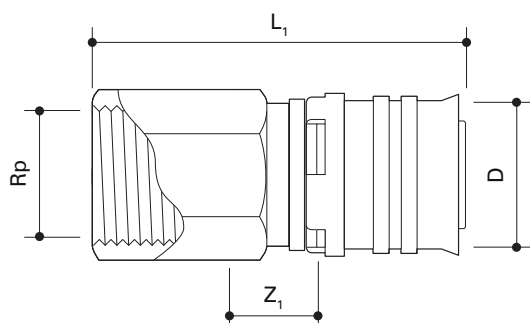


alpex-duo XS adapter with FT

Pressing contours: **F** **TH**

Female thread adapter according to DIN EN 10226-1 made of dezincification-resistant brass for drinking water and heating system installations featuring a white fixation ring with integrated inspection holes, fixed stainless steel pressing sleeve and leak function.

Cat. no.	Description	D [mm]	Rp ["]	L ₁ [mm]	Z ₁ [mm]	Weight [kg]	QTY [Pcs]	Gross ¹⁾ [€]
8291677201	16-Rp1/2 MS	16	1/2	48	11	0,079	10	4,10
8292077201	20-Rp1/2 MS	20	1/2	49	11	0,086	10	5,35
8292077301	20-Rp3/4 MS	20	3/4	47	12	0,085	10	5,95
8292677301	26-Rp3/4 MS	26	3/4	58	12	0,102	5	9,15
8292677401	26-Rp1 MS	26	1	62	13	0,161	5	14,10
8293277401	32-Rp1 MS	32	1	62	13	0,180	5	15,90
8293277501	32-Rp1 1/4 MS	32	1 1/4	64	13	0,196	5	15,90



¹⁾Gross price per piece, per set, per metre

alpex-duo® XS / alpex L

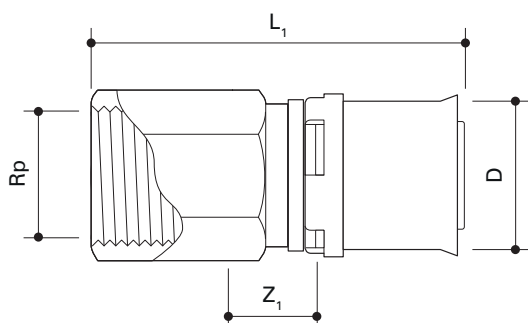


alpex L adapter with FT

Pressing contours: **F** **TH**

Female thread adapter according to DIN EN 10226-1 made of dezincification-resistant brass for drinking water and heating system installations featuring a white fixation ring with integrated inspection holes, fixed stainless steel pressing sleeve and leak function.

Cat. no.	Description	D [mm]	Rp ["]	L ₁ [mm]	Z ₁ [mm]	Weight [kg]	QTY [Pcs]	Gross ¹⁾ [€]
86740774	40-Rp1 MS	40	1	68	9	0,261	3	47,50
86740775	40-Rp1 1/4 MS	40	1 1/4	71	9	0,328	3	49,50
86750776	50-Rp1 1/2 MS	50	1 1/2	80	9	0,476	2	58,50
86763778	63-Rp2 MS	63	2	88	10	0,760	1	83,50

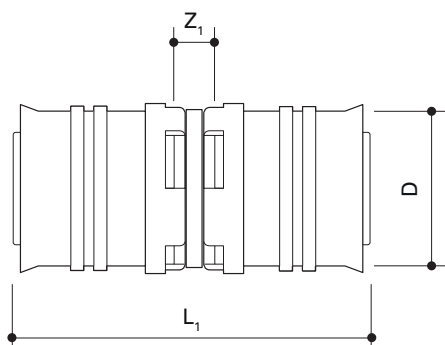


alpex-duo XS coupling

Pressing contours: **F** **TH**

Coupling made of PPSU for drinking water and heating system installations featuring white fixation rings with integrated inspection holes, fixed stainless steel pressing sleeves and leak function.

Cat. no.	Description	D [mm]	L ₁ [mm]	Z ₁ [mm]	Weight [kg]	QTY [Pcs]	Gross ¹⁾ [€]
82816100	16-16 PPSU	16	56	8	0,023	10	3,30
82820100	20-20 PPSU	20	58	8	0,031	10	3,90
82826100	26-26 PPSU	26	76	9	0,050	5	5,70
82832100	32-32 PPSU	32	76	9	0,064	5	7,80



alpex-duo® XS / alpex L

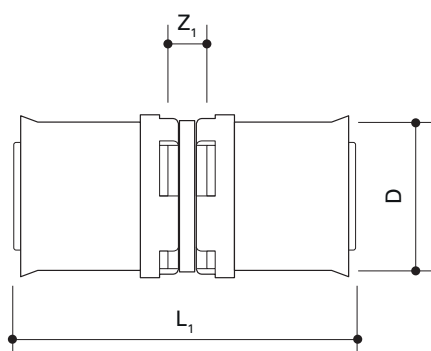


alpex L coupling

Pressing contours: **F** **TH**

Coupling made of PPSU or dezincification-resistant brass for drinking water and heating system installations featuring white fixation rings with integrated inspection holes, fixed stainless steel pressing sleeves and leak function.

Cat. no.	Description	D [mm]	L ₁ [mm]	Z ₁ [mm]	Weight [kg]	QTY [Pcs]	Gross ¹⁾ [€]
88440100	40-40 PPSU	40	92	11	0,105	3	20,00
88450100	50-50 PPSU	50	109	11	0,177	2	26,00
88463100	63-63 PPSU	63	118	12	0,248	1	51,00
86775100	75-75 MS	75	118	12	1,130	1	110,00

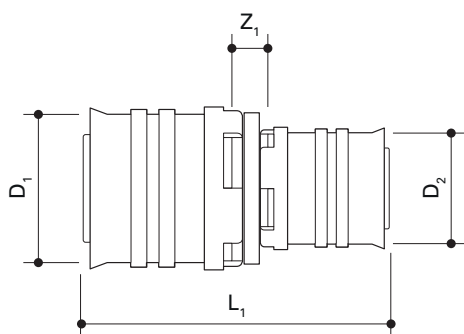


alpex-duo XS coupling reduced

Pressing contours: **F** **TH**

Reduced coupling made of PPSU for drinking water and heating system installations featuring white fixation rings with integrated inspection holes, fixed stainless steel pressing sleeves and leak function.

Cat. no.	Description	D ₁ [mm]	D ₂ [mm]	L ₁ [mm]	Z ₁ [mm]	Weight [kg]	QTY [Pcs]	Gross ¹⁾ [€]
82820130	20-16 PPSU	20	16	57	8	0,027	10	3,40
82826130	26-16 PPSU	26	16	66	8	0,036	5	4,40
82826150	26-20 PPSU	26	20	67	9	0,040	5	4,60
82832150	32-20 PPSU	32	20	67	9	0,050	5	7,20
82832160	32-26 PPSU	32	26	76	9	0,058	5	7,80



alpex-duo® XS / alpex L

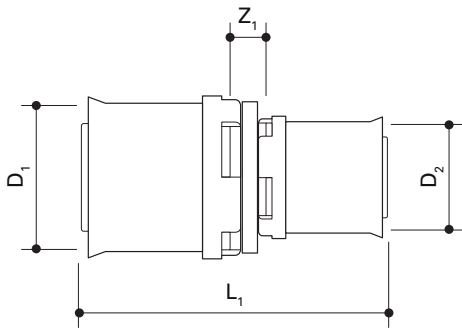


alpex L coupling reduced

Pressing contours: **F** **TH**

Reduced coupling made of PPSU or dezincification-resistant brass for drinking water and heating system installations featuring white fixation rings with integrated inspection holes, fixed stainless steel pressing sleeves and leak function. Can be pressed using the F-contour, the dimensions smaller than or equal to 32 mm also with the TH pressing contour.

Cat. no.	Description	D ₁ [mm]	D ₂ [mm]	L ₁ [mm]	Z ₁ [mm]	Weight [kg]	QTY [Pcs]	Gross ¹⁾ [€]
82840160	40-26 PPSU	40	26	88	10	0,086	3	16,00
82840170	40-32 PPSU	40	32	84	10	0,091	3	18,00
82850170	50-32 PPSU	50	32	98	12	0,127	2	22,00
88450180	50-40 PPSU	50	40	100	10	0,149	2	27,00
88463180	63-40 PPSU	63	40	112	13	0,194	1	48,00
88463190	63-50 PPSU	63	50	118	11	0,221	1	52,00
86775180	75-40 MS	75	40	105	10	0,846	1	99,00
86775190	75-50 MS	75	50	113	10	0,901	1	103,00
86775195	75-63 MS	75	63	118	10	1,018	1	106,00

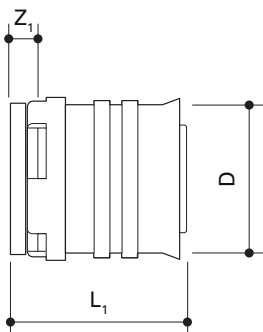


alpex-duo XS end cap

Pressing contours: **F** **TH**

End cap made of PPSU to seal pipe ends in drinking water and heating systems featuring a white fixation ring with integrated inspection holes, fixed stainless steel pressing sleeve and leak function.

Cat. no.	Description	D [mm]	L ₁ [mm]	Z ₁ [mm]	Weight [kg]	QTY [Pcs]	Gross ¹⁾ [€]
82816820	16 PPSU	16	31	5	0,012	10	2,65
82820820	20 PPSU	20	32	5	0,016	10	2,90
82826820	26 PPSU	26	42	6	0,026	5	4,40
82832820	32 PPSU	32	42	6	0,034	5	5,80



alpex-duo® XS / alpex L

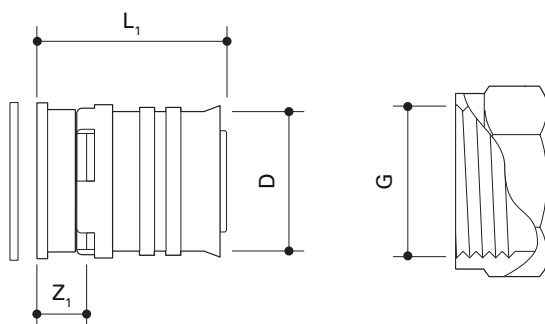


alpex-duo XS transition coupling

Pressing contours: **F** **TH**

Flat-sealing adapter made of dezincification-resistant brass to create detachable connections in drinking water and heating systems featuring a white fixation ring with integrated inspection holes, fixed stainless steel pressing sleeve and leak function.

Cat. no.	Description	D [mm]	G ["]	L ₁ [mm]	Z ₁ [mm]	Weight [kg]	QTY [Pcs]	Gross ¹⁾ [€]
8291667201	flat-sealing 16-G1/2 MS	16	1/2	37	12	0,057	10	5,75
8291667301	flat-sealing 16-G3/4 MS	16	3/4	31	12	0,067	10	5,80
8292067301	flat-sealing 20-G3/4 MS	20	3/4	38	12	0,078	10	6,45
8292067401	flat-sealing 20-G1 MS	20	1	32	14	0,100	10	7,30
8292667301	flat-sealing 26-G3/4 MS	26	3/4	55	12	0,109	5	14,40
8292667401	flat-sealing 26-G1 MS	26	1	49	14	0,127	5	9,95
8292667501	flat-sealing 26-G1 1/4 MS	26	1 1/4	43	8	0,105	5	12,70
8292667601	flat-sealing 26-G1 1/2 MS	26	1 1/2	42	26	0,186	5	14,90
8293267401	flat-sealing 32-G1 MS	32	1	60	14	0,159	5	17,90
8293267501	flat-sealing 32-G1 1/4 MS	32	1 1/4	54	20	0,179	5	19,70
8293267601	flat-sealing 32-G1 1/2 MS	32	1 1/2	43	20	0,189	5	23,30

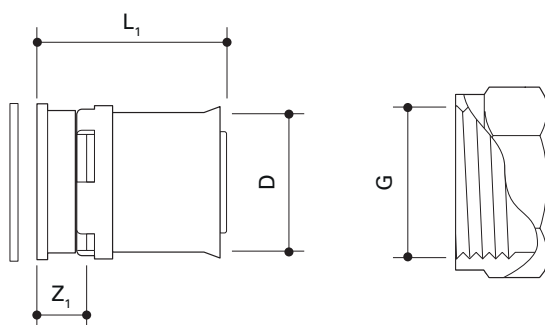


alpex L transition coupling

Pressing contours: **F** **TH**

Flat-sealing adapter made of dezincification-resistant brass to create detachable connections in drinking water and heating systems featuring a white fixation ring with integrated inspection holes, fixed stainless steel pressing sleeve and leak function.

Cat. no.	Description	D [mm]	G ["]	L ₁ [mm]	Z ₁ [mm]	Weight [kg]	QTY [Pcs]	Gross ¹⁾ [€]
86740795	flat-sealing 40-G1 1/4 MS	40	1 1/4	61	17	0,306	3	40,00
86740796	flat-sealing 40-G1 1/2 MS	40	1 1/2	63	17	0,362	3	41,00
86750797	flat-sealing 50-G1 3/4 MS	50	1 3/4	72	20	0,521	2	43,00
86750798	flat-sealing 50-G2 MS	50	2	72	20	0,526	2	44,00
86763798	flat-sealing 63-G2 MS	63	2	86	20	0,692	1	104,00
86763799	flat-sealing 63-G2 3/8 MS	63	2 3/8	76	20	0,769	1	106,00



¹⁾Gross price per piece, per set, per metre

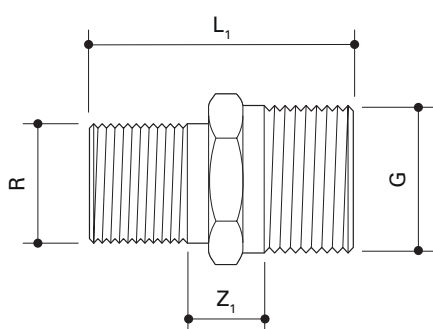
alpeX-duo® XS / alpeX L



alpeX connection coupling

Flat-sealing connection coupling made of brass to create detachable connections in combination with alpeX flat-sealing adapters. R-thread according to DIN EN 10226-1, G-thread according to DIN EN ISO 228-1.

Cat. no.	Description	R [“]	G [“]	L ₁ [mm]	Z ₁ [mm]	Weight [kg]	QTY [Pcs]	Gross ¹⁾ [€]
85900932	flat-sealing R1/2-G3/4 MS	1/2	3/4	35	7	0,094	10	5,30
85900943	flat-sealing R3/4-G1 MS	3/4	1	40	9	0,159	10	11,40
85900954	flat-sealing R1-G1 1/4 MS	1	1 1/4	43	9	0,245	10	16,00
85900988	flat-sealing R2-G2 MS	2	2	56	12	0,678	5	37,80

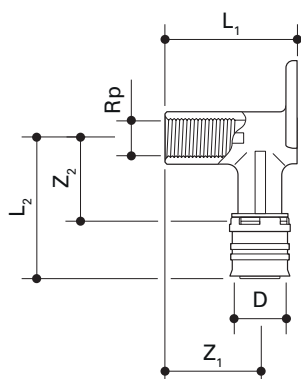


alpeX-duo XS wall mount elbow

Pressing contours: **F TH**

Female thread 35 mm wall mount elbow according to DIN EN 10226-1 made of dezincification-resistant brass for fitting connection in tee and serial installations in drinking water systems featuring a white fixation ring with integrated inspection holes, fixed stainless steel pressing sleeve and leak function.

Cat. no.	Description	D [mm]	Rp [“]	L ₁ [mm]	L ₂ [mm]	Z ₁ [mm]	Z ₂ [mm]	Weight [kg]	QTY [Pcs]	Gross ¹⁾ [€]
8291672001	35 mm 16-Rp1/2 MS	16	1/2	35	47	18	23	0,110	10	7,80
8292072001	35 mm 20-Rp1/2 MS	20	1/2	35	48	18	23	0,119	10	10,40
8292072301	35 mm 20-Rp3/4 MS	20	3/4	35	48	18	23	0,130	10	11,40
8292672001	35 mm 26-Rp3/4 MS	26	3/4	35	62	18	28	0,164	5	14,10



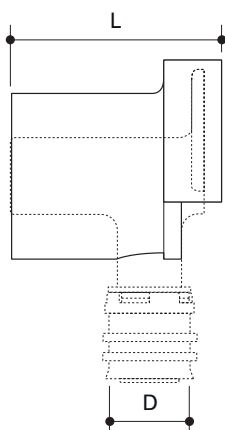
alpex-duo® XS / alpex L



alpex noise absorption kit

Noise absorption kit for wall mount elbow 35 mm to decouple from masonry and enhance noise insulation.

Cat. no.	Description	D [mm]	L [mm]	Weight [kg]	QTY [Pcs]	Gross ¹⁾ [€]
84916215	for wall mount elbow 35 mm Rp1/2	16-20	56	0,031	10	4,90
84926215	for wall mount elbow 35 mm Rp3/4	20-26	56	0,025	10	4,90

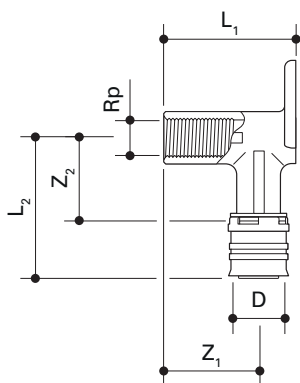


alpex-duo XS wall mount elbow

Pressing contours: **F TH**

Female thread 52 mm wall mount elbow according to DIN EN 10226-1 made of dezincification-resistant brass for fitting connection in tee and serial installations in drinking water systems featuring a white fixation ring with integrated inspection holes, fixed stainless steel pressing sleeve and leak function.

Cat. no.	Description	D [mm]	Rp ["]	L ₁ [mm]	L ₂ [mm]	Z ₁ [mm]	Z ₂ [mm]	Weight [kg]	QTY [Pcs]	Gross ¹⁾ [€]
8291672201	52 mm 16-Rp1/2 MS	16	1/2	52	47	35	23	0,147	10	11,90



alpex-duo® XS / alpex L

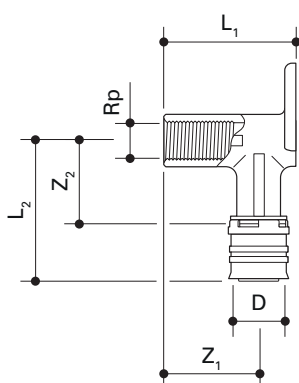


alpex-duo XS wall mount elbow

Pressing contours: **F TH**

Female thread 78 mm wall mount elbow according to DIN EN 10226-1 made of dezincification-resistant brass for fitting connection in tee and serial installations in drinking water systems featuring a white fixation ring with integrated inspection holes, fixed stainless steel pressing sleeve and leak function.

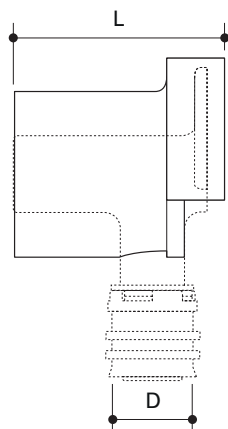
Cat. no.	Description	D [mm]	Rp ["]	L ₁ [mm]	L ₂ [mm]	Z ₁ [mm]	Z ₂ [mm]	Weight [kg]	QTY [Pcs]	Gross ¹⁾ [€]
8291672101	78 mm 16-Rp1/2 MS	16	1/2	78	47	61	23	0,204	10	12,30
8292072101	78 mm 20-Rp1/2 MS	20	1/2	78	47	61	23	0,214	10	13,80



alpex noise absorption kit

Noise absorption kit for wall mount elbow 78 mm to decouple from masonry and enhance noise insulation.

Cat. no.	Description	D [mm]	L [mm]	Weight [kg]	QTY [Pcs]	Gross ¹⁾ [€]
85916211	for wall mount elbow 78 mm Rp1/2	16-20	82	0,033	10	5,50



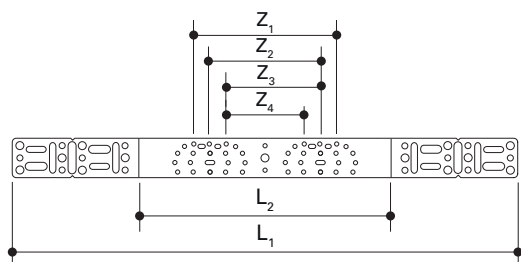
alpex-duo® XS / alpex L



alpex mounting plate

Mounting plate with a 135 mm lug including fastening material for wall mount elbow, for one or two fitting connections in drinking water installations.

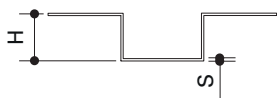
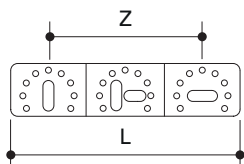
Cat. no.	Description	L ₁ [mm]	L ₂ [mm]	H [mm]	Z ₁ [mm]	Z ₂ [mm]	Z ₃ [mm]	Z ₄ [mm]	S [mm]	Weight [kg]	QTY [Pcs]	Gross ¹⁾ [€]
84900120	84/100/120/153 mm	542	270	37	153	120	100	84	3	0,485	20	6,70



alpex mounting plate Gemini

Gemini mounting plate including fastening material for wall mount elbow, for one or two fitting connections in drinking water installations.

Cat. no.	Description	L [mm]	H [mm]	Z [mm]	S [mm]	Weight [kg]	QTY [Pcs]	Gross ¹⁾ [€]
84900117	120 mm (single/Gemini)	175	36	120	3	0,209	10	6,50
84900118	153 mm (Gemini)	208	36	153	3	0,252	10	7,00



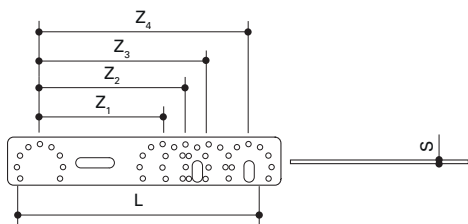
alpex-duo® XS / alpex L



alpex mounting rail

Mounting rail including fastening material for wall mount elbow, for one or two fitting connections in drinking water installations.

Cat. no.	Description	L [mm]	Z ₁ [mm]	Z ₂ [mm]	Z ₃ [mm]	Z ₄ [mm]	S [mm]	Weight [kg]	QTY [Pcs]	Gross ¹⁾ [€]
84900116	80/100/120/153 mm	208	80	100	120	153	3	0,177	10	4,20

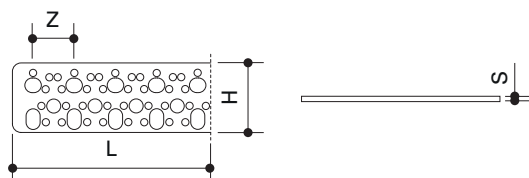


alpex mounting rail



Mounting rail for individual bending for wall mount elbows in drinking water installations. To optimally secure wall mount elbows, screw size of 4.8 x 16 mm is recommended (tapping screw).

Cat. no.	Description	L [mm]	H [mm]	Z [mm]	S [mm]	Weight [kg]	QTY [Pcs]	Gross ¹⁾ [€]
84900119	1200 mm	1200	42	25	3	0,788	10	15,20



alpex-duo® XS / alpex L

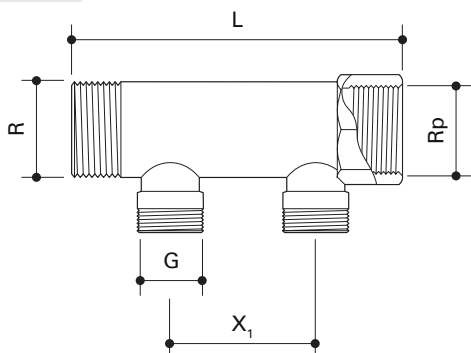


alpex manifold

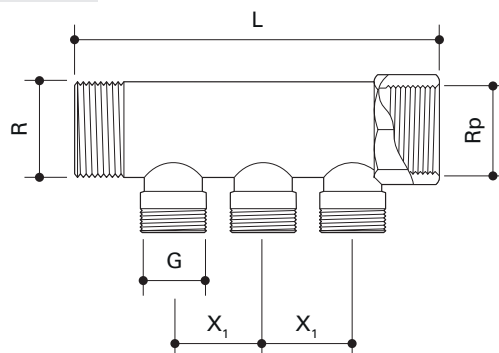
Manifold made of dezincification-resistant brass, can be variably combined, to design various Eurocone G3/4" outlets in drinking water and heating systems.

Cat. no.	Description	Rp ["]	G ["]	R ["]	L [mm]	X ₁ [mm]	Weight [kg]	QTY [Pcs]	Gross ¹⁾ [€]
89500502	Eurocone Rp1 - 2x G3/4 - R1 MS	1	3/4	1	116	50	0,408	10	25,90
89500503	Eurocone Rp1 - 3x G3/4 - R1 MS	1	3/4	1	166	50	0,585	10	33,30

89500502



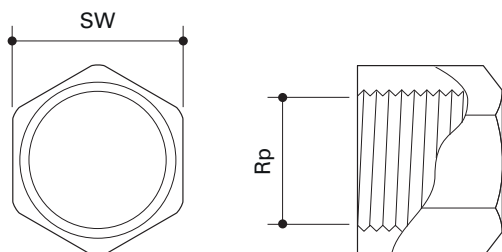
89500503



alpex cap for manifold

Cap made of dezincification-resistant brass with female thread according to DIN EN 10226-1 suited for alpex manifolds.

Cat. no.	Description	Rp ["]	SW [mm]	Weight [kg]	QTY [Pcs]	Gross ¹⁾ [€]
89500515	Rp1 MS	1	36	0,112	10	7,00



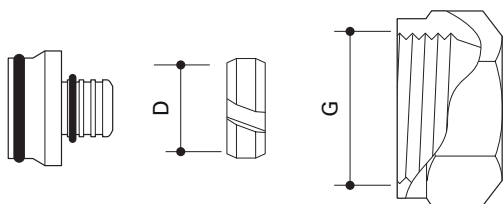
alpex-duo® XS / alpex L



alpex compression coupling

Female compression coupling according to DIN EN ISO 228 and Eurocone made of brass to connect alpex pipes to devices, fittings and shaped parts featuring Eurocone.

Cat. no.	Description	D [mm]	G ["]	Weight [kg]	QTY [Pcs]	Gross ¹⁾ [€]
74816103	Eurocone 16-G3/4 MS	16	3/4	0,070	10	4,50
74820103	Eurocone 20-G3/4 MS	20	3/4	0,070	10	5,50

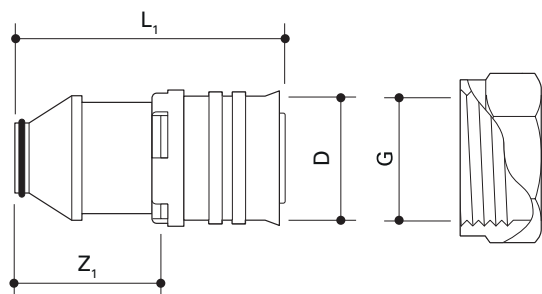


alpex-duo XS press connection coupling

Pressing contours: **F TH**

Female press connection coupling according to DIN EN ISO 228 and Eurocone made of brass featuring a white fixation ring with integrated inspection holes, fixed stainless steel pressing sleeve and leak function to connect alpex pipes to devices, fittings and shaped parts featuring Eurocone.

Cat. no.	Description	D [mm]	G ["]	L ₁ [mm]	Z ₁ [mm]	Weight [kg]	QTY [Pcs]	Gross ¹⁾ [€]
8291671001	Eurocone 16-G3/4 MS	16	3/4	45	17	0,083	10	4,70
8292071001	Eurocone 20-G3/4 MS	20	3/4	53	24	0,096	10	5,10



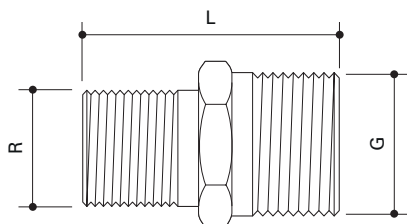
alpex-duo® XS / alpex L



alpex connection for compression coupling

Male thread connection coupling according to DIN EN 10226-1 and DIN EN ISO 228 made of nickel-plated brass to connect alpex compression coupling with Eurocone to fittings.

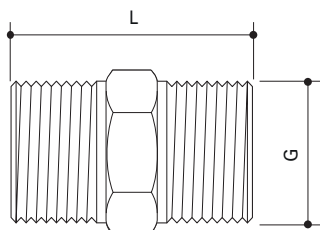
Cat. no.	Description	R ["]	G ["]	L [mm]	Weight [kg]	QTY [Pcs]	Gross ¹⁾ [€]
72800712	Eurocone R1/2-G3/4 MS	1/2	3/4	29	0,055	25	5,10



alpex double nipple

Male thread connection coupling according to DIN EN ISO 228 made of nickel-plated brass to connect alpex compression coupling with Eurocone.

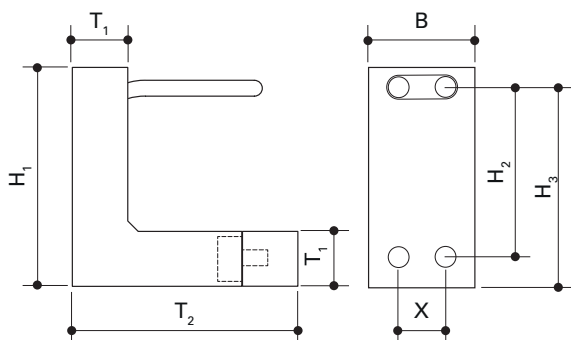
Cat. no.	Description	G ["]	L [mm]	Weight [kg]	QTY [Pcs]	Gross ¹⁾ [€]
72800100	Eurocone G3/4-G3/4 MS	3/4	27	0,050	25	5,35



alpex F50 PROFI radiator connection block

Radiator connection block with integrated alpex multilayer composite pipe for wall connection of radiators including EPS insulation.

Cat. no.	Description	B [mm]	H ₁ [mm]	H ₂ [mm]	H ₃ [mm]	T ₁ [mm]	T ₂ [mm]	X [mm]	Weight [kg]	QTY [Pcs]	Gross ¹⁾ [€]
75900401	16x2 - 260 mm	105	260	220	245	50	225	50	0,170	6	30,00
75900402	16x2 - 310 mm	105	310	270	295	50	225	50	0,190	6	34,00



¹⁾Gross price per piece, per set, per metre

alpex-duo® XS / alpex L

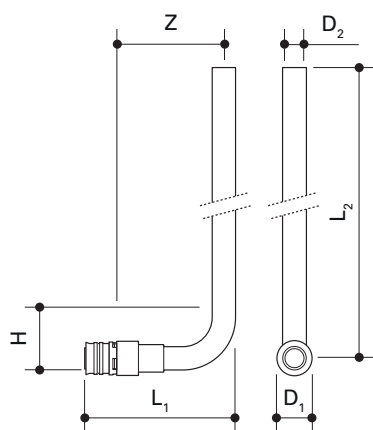


alpex-duo XS radiator connection bend

Pressing contours: **F TH**

Radiator connection bend made of brass with nickel-plated copper pipe 15x1 for wall or floor connection of radiators featuring a white fixation ring with integrated inspection holes, fixed stainless steel pressing sleeve and leak function.

Cat. no.	Description	D ₁ [mm]	D ₂ [mm]	L ₁ [mm]	L ₂ [mm]	H [mm]	Z [mm]	Weight [kg]	QTY [Pcs]	Gross ¹⁾ [€]
82916733	16-15 CU - 330	16	15x1	79	330	40	48	0,102	2	15,00

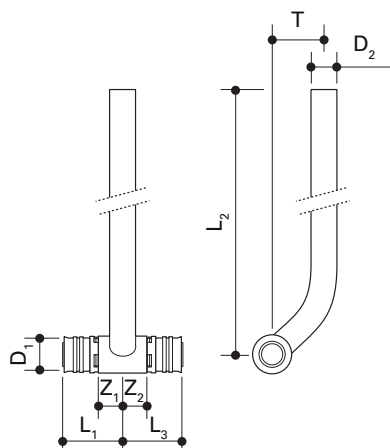


alpex-duo XS radiator connection tee

Pressing contours: **F TH**

Radiator connection tee made of brass with nickel-plated copper pipe 15x1 for wall or floor connection of radiators featuring a white fixation ring with integrated inspection holes, fixed stainless steel pressing sleeve and leak function.

Cat. no.	Description	D ₁ [mm]	D ₂ [mm]	L ₁ [mm]	L ₂ [mm]	L ₃ [mm]	Z ₁ [mm]	Z ₂ [mm]	T [mm]	Weight [kg]	QTY [Pcs]	Gross ¹⁾ [€]
82916753	16-15 CU - 330	16	15 x 1	40	330	40	12	12	15	0,193	2	16,00



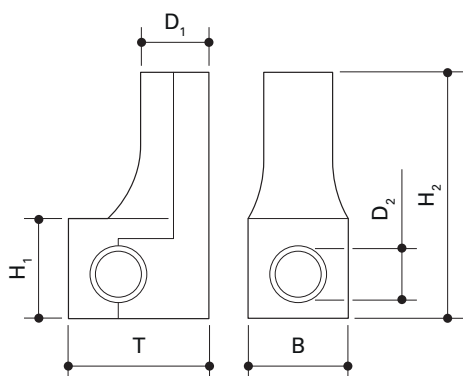
alpex-duo® XS / alpex L



alpex noise absorption kit

Noise absorption kit for radiator connection bend and tee to decouple from masonry and enhance noise insulation.

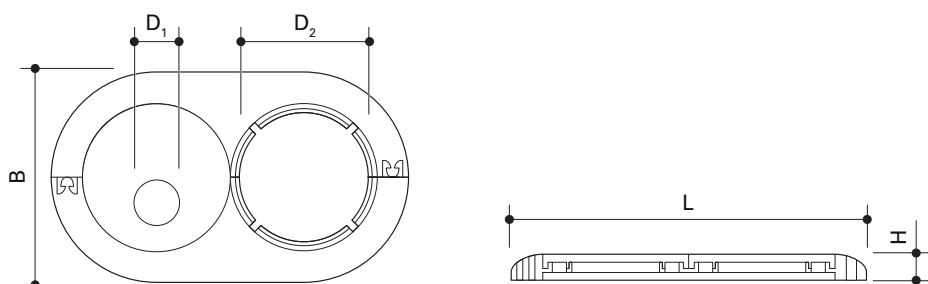
Cat. no.	Description	D ₁ [mm]	D ₂ [mm]	T [mm]	B [mm]	H ₁ [mm]	H ₂ [mm]	Weight [kg]	QTY [Set]	Gross ¹⁾ [€]
85900100	f. radiator connection tee/bend 16-20 mm	35	16-20	70	49	50	124	0,065	2	13,00



alpex double cover antique white

Two-piece double cover in antique white to cover wall or floor penetration, adjustable for 35-55 mm.

Cat. no.	Description	D ₁ [mm]	D ₂ [mm]	L [mm]	B [mm]	H [mm]	Weight [kg]	QTY [Pcs]	Gross ¹⁾ [€]
75914800	adjustable 35-55 mm 14	14	45	113	70	12	0,020	50	1,70
75915800	adjustable 35-55 mm 15	15	45	113	70	12	0,020	50	1,00
75916800	adjustable 35-55 mm 16	16	45	113	70	12	0,020	50	1,00
75918800	adjustable 35-55 mm 20	20	45	113	70	12	0,020	50	1,00
72900802	adjustable 35-55 mm for slip-on sl. 26	26	45	113	70	12	0,020	50	1,00



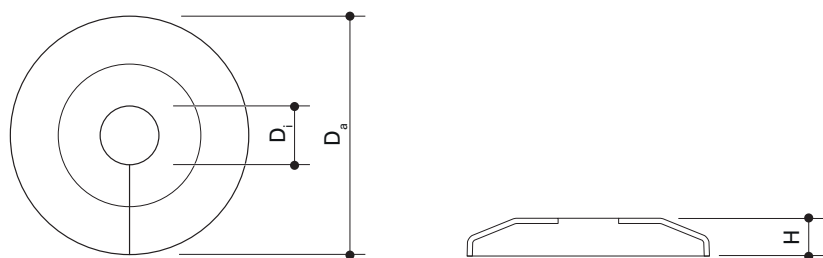
alpex-duo® XS / alpex L



alpex single cover antique white

Single cover in antique white to cover wall or floor penetration.

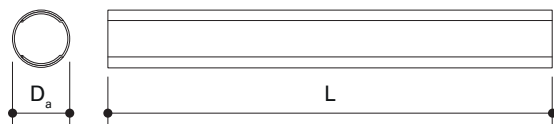
Cat. no.	Description	D _i [mm]	D _a [mm]	H [mm]	Weight [kg]	QTY [Pcs]	Gross ¹⁾ [€]
75915805	15	15	60	12	0,006	100	1,30
75916805	16	16	60	12	0,006	100	0,70
75920805	20	20	60	12	0,006	100	2,00
72900801	for slip-on sleeve 26	26	60	12	0,006	50	0,60



alpex slip-on sleeve antique white

Slip-on sleeve in antique white as protection and cladding for the pipes between the floor and radiator connection.

Cat. no.	Description	D _a [mm]	L [mm]	Weight [kg]	QTY [Pcs]	Gross ¹⁾ [€]
72900216	26 x 200 mm	26	200	0,023	50	0,70



alpex-duo® XS / alpex L

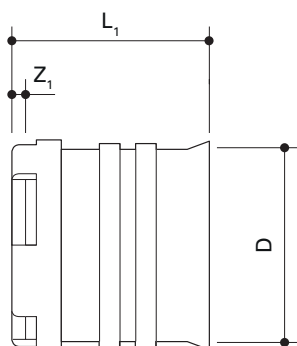


alpex-duo XS replacement pressing sleeve

Pressing contours: **F** **TH**

Replacement pressing sleeve made of stainless steel featuring fixation ring and inspection hole for alpex-duo XS press fittings.

Cat. no.	Description	D [mm]	L ₁ [mm]	Z ₁ [mm]	Weight [kg]	QTY [Pcs]	Gross ¹⁾ [€]
82916505	with fixation ring 16	16	26	3	0,007	10	1,65
82920505	with fixation ring 20	20	27	3	0,009	10	1,65
82926505	with fixation ring 26	26	35	3	0,015	5	1,65
82932505	with fixation ring 32	32	35	3	0,018	5	3,20

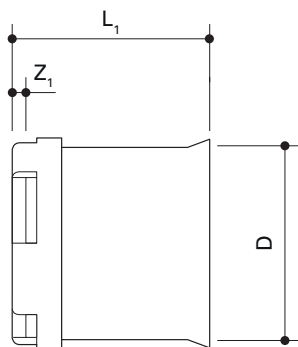


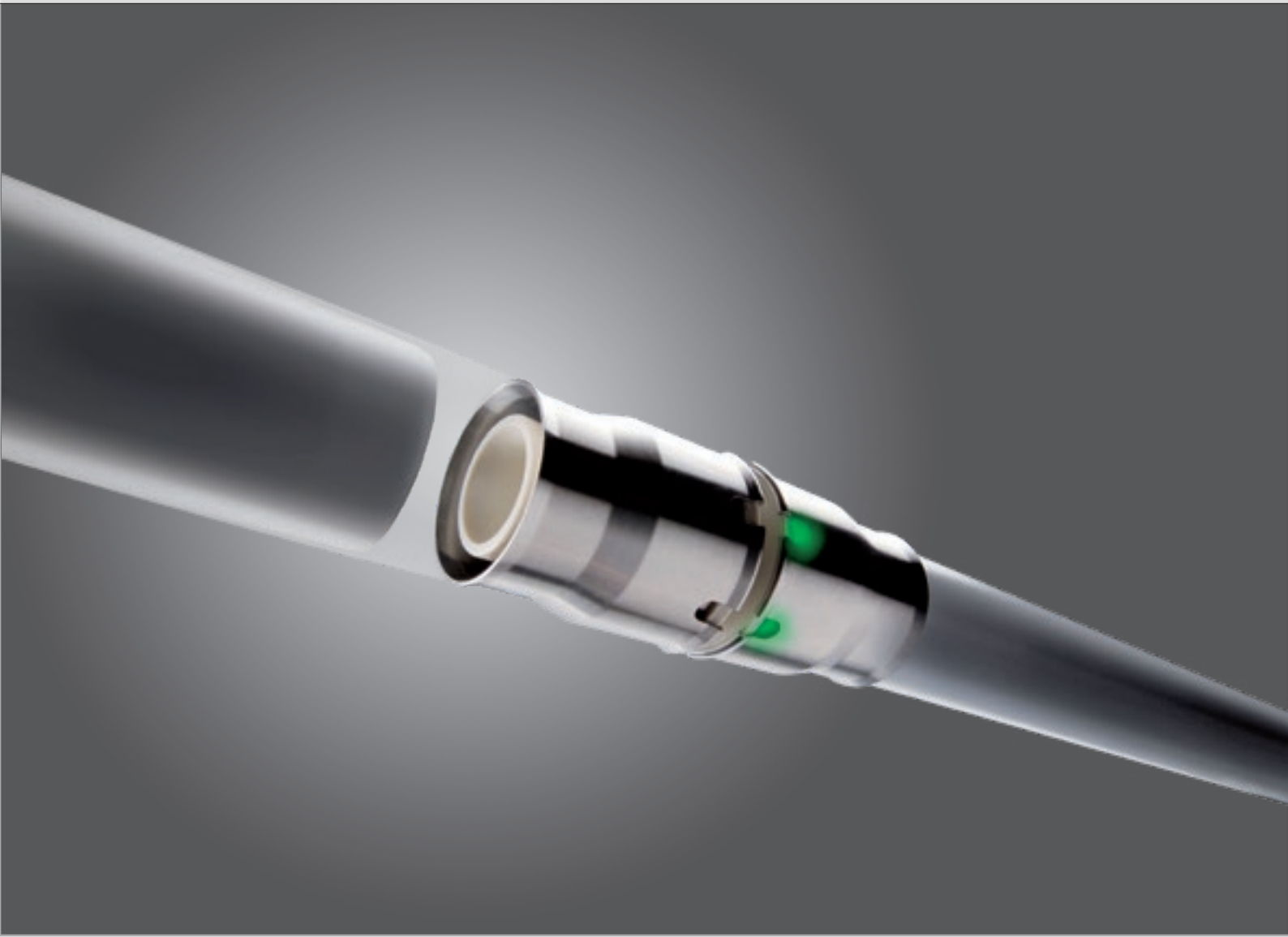
alpex L replacement pressing sleeve

Pressing contours: **F** **TH**

Replacement pressing sleeve made of stainless steel featuring fixation ring and inspection hole for alpex L press fittings.

Cat. no.	Description	D [mm]	L ₁ [mm]	Z ₁ [mm]	Weight [kg]	QTY [Pcs]	Gross ¹⁾ [€]
86740505	with fixation ring 40	40	43	4	0,010	3	6,00
86750505	with fixation ring 50	50	51	4	0,013	2	8,00
86763505	with fixation ring 63	63	54	4	0,020	1	11,50
86775505	with fixation ring 75	75	54	4	0,025	1	20,30





alpex-plus® push-fit fittings in 16 - 26 mm

- Lead-free, compliance with German Environment Agency / Drinking Water Ordinance
- Ideal for confined construction site situations
- Compatible with all alpex and ff-therm pipes

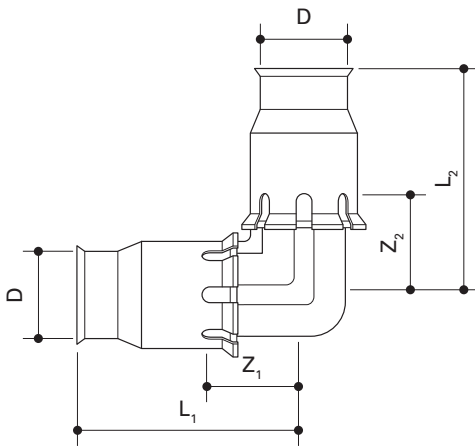
alpex-plus®



alpex-plus 90° elbow

90° elbow made of PPSU for drinking water and heating system installations featuring fixed stainless steel sleeves and optical indicators for verifying correct positioning. The connection can be released during installation in the dimensions of 16 and 20 mm by means of special tools.

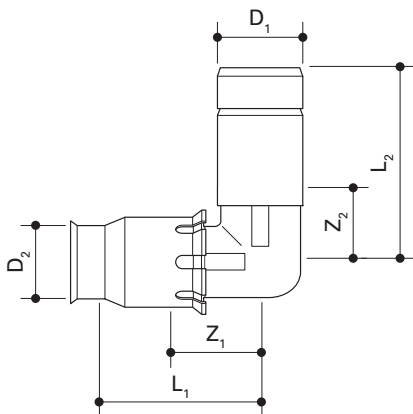
Cat. no.	Description	D [mm]	L ₁ [mm]	L ₂ [mm]	Z ₁ [mm]	Z ₂ [mm]	Weight [kg]	QTY [Pcs]	Gross ¹⁾ [€]
88316200	16-16 PPSU	16	38	38	18	18	0,024	10	5,95
88320200	20-20 PPSU	20	44	44	20	20	0,033	10	6,90
88326200	26-26 PPSU	26	53	53	25	25	0,059	5	10,80



alpex-plus female/male push-fit elbow

90° elbow made of dezincification-resistant brass as a female/male variant for drinking water and heating system installations featuring fixed stainless steel sleeve and optical indicator for verifying correct positioning.

Cat. no.	Description	D ₁ [mm]	D ₂ [mm]	L ₁ [mm]	L ₂ [mm]	Z ₁ [mm]	Z ₂ [mm]	Weight [kg]	QTY [Pcs]	Gross ¹⁾ [€]
87316880	16-16 MS	16	16	28	38	9	23	0,053	10	9,25
87320880	20-20 MS	20	20	33	43	11	23	0,080	10	11,00



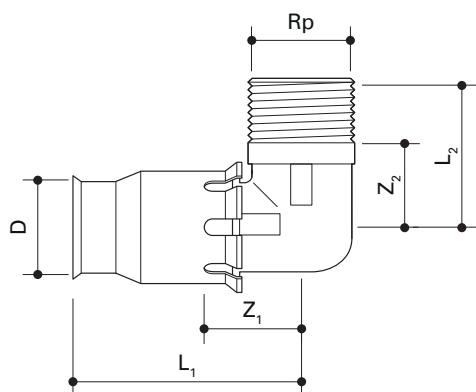
alpex-plus®



alpex-plus elbow with MT

Male thread elbow adapter according to DIN EN 10226-1 made of dezincification-resistant brass for drinking water and heating system installations featuring fixed stainless steel sleeve and optical indicator for verifying correct positioning. The connection can be released during installation in the dimensions of 16 and 20 mm by means of special tools.

Cat. no.	Description	D [mm]	Rp ["]	L ₁ [mm]	L ₂ [mm]	Z ₁ [mm]	Z ₂ [mm]	Weight [kg]	QTY [Pcs]	Gross ¹⁾ [€]
87316782	16-R1/2 MS	16	1/2	44	30	22	17	0,081	10	7,05
87320782	20-R1/2 MS	20	1/2	46	30	22	17	0,099	10	11,70
87320783	20-R3/4 MS	20	3/4	46	30	20	15	0,104	10	12,00
87326783	26-R3/4 MS	26	3/4	51	36	20	21	0,155	5	20,00

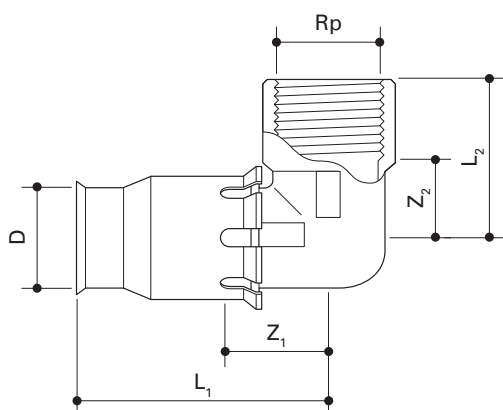


alpex-plus elbow with FT



Female thread elbow adapter according to DIN EN 10226-1 made of dezincification-resistant brass for drinking water and heating system installations featuring fixed stainless steel sleeve and optical indicator for verifying correct positioning. The connection can be released during installation in the dimensions of 16 and 20 mm by means of special tools.

Cat. no.	Description	D [mm]	Rp ["]	L ₁ [mm]	L ₂ [mm]	Z ₁ [mm]	Z ₂ [mm]	Weight [kg]	QTY [Pcs]	Gross ¹⁾ [€]
87316792	16-Rp1/2 MS	16	1/2	30	43	17	23	0,092	10	7,25
87320792	20-Rp1/2 MS	20	1/2	30	46	15	23	0,107	10	11,30
87320793	20-Rp3/4 MS	20	3/4	30	46	17	23	0,129	10	12,00
87326793	26-Rp3/4 MS	26	3/4	37	51	20	25	0,175	5	17,40



¹⁾Gross price per piece, per set, per metre

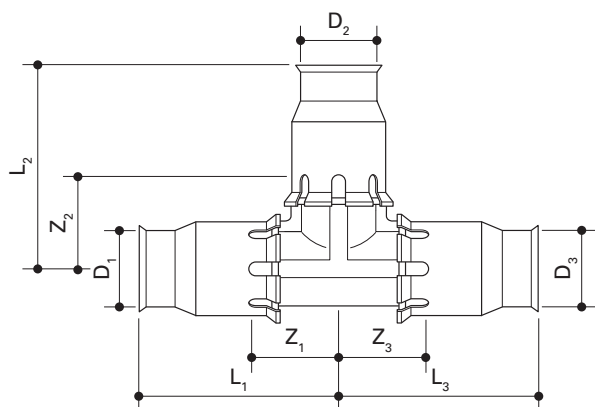
alpex-plus®



alpex-plus tee

Tee made of PPSU for drinking water and heating system installations featuring fixed stainless steel sleeves and optical indicators for verifying correct positioning. The connection can be released during installation in the dimensions of 16 and 20 mm by means of special tools.

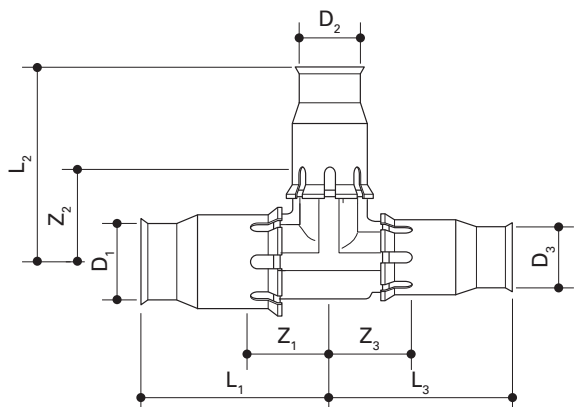
Cat. no.	Description	D ₁ [mm]	D ₂ [mm]	D ₃ [mm]	L ₁ [mm]	L ₂ [mm]	L ₃ [mm]	Z ₁ [mm]	Z ₂ [mm]	Z ₃ [mm]	Weight [kg]	QTY [Pcs]	Gross ¹⁾ [€]
88316300	16-16-16 PPSU	16	16	16	40	40	40	21	21	21	0,038	10	8,30
88320300	20-20-20 PPSU	20	20	20	43	43	43	21	21	21	0,050	10	10,15
88326300	26-26-26 PPSU	26	26	26	53	53	53	25	25	25	0,086	5	14,45



alpex-plus reduced tee

Reduced tee made of PPSU for drinking water and heating system installations featuring fixed stainless steel sleeves and optical indicators for verifying correct positioning. The connection can be released during installation in the dimensions of 16 and 20 mm by means of special tools.

Cat. no.	Description	D ₁ [mm]	D ₂ [mm]	D ₃ [mm]	L ₁ [mm]	L ₂ [mm]	L ₃ [mm]	Z ₁ [mm]	Z ₂ [mm]	Z ₃ [mm]	Weight [kg]	QTY [Pcs]	Gross ¹⁾ [€]
88320333	20-16-16 PPSU	20	16	16	40	41	38	21	21	21	0,040	10	10,80
88320330	20-16-20 PPSU	20	16	20	40	41	41	21	21	21	0,045	10	10,80
88320303	20-20-16 PPSU	20	20	16	43	40	44	15	18	18	0,046	10	11,00
88326335	26-16-20 PPSU	26	16	20	45	47	43	25	20	20	0,058	5	14,90
88326330	26-16-26 PPSU	26	16	26	45	47	47	25	20	20	0,068	5	15,25
88326355	26-20-20 PPSU	26	20	20	48	50	43	25	22	22	0,064	5	15,00
88326350	26-20-26 PPSU	26	20	26	48	50	50	25	22	22	0,074	5	15,50



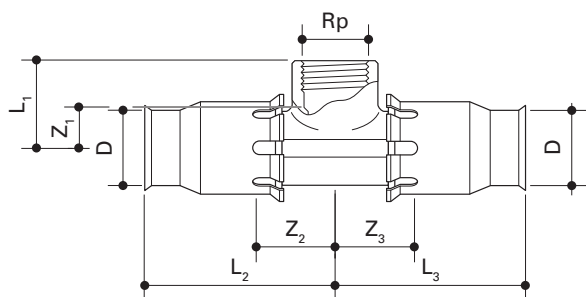
alpex-plus®



alpex-plus tee with FT

Female thread tee according to DIN EN 10226-1 made of dezincification-resistant brass for drinking water and heating system installations featuring fixed stainless steel sleeves and optical indicators for verifying correct positioning. The connection can be released during installation in the dimensions of 16 and 20 mm by means of special tools.

Cat. no.	Description	D [mm]	Rp ["]	L ₁ [mm]	L ₂ [mm]	L ₃ [mm]	Z ₁ [mm]	Z ₂ [mm]	Z ₃ [mm]	Weight [kg]	QTY [Pcs]	Gross ¹⁾ [€]
87316742	16-Rp1/2-16 MS	16	1/2	18	40	40	5	21	21	0,107	10	13,75
87320742	20-Rp1/2-20 MS	20	1/2	19	43	43	6	21	21	0,135	10	15,00
87320743	20-Rp3/4-20 MS	20	3/4	19	47	47	6	24	24	0,162	10	16,00
87326743	26-Rp3/4-26 MS	26	3/4	22	52	52	7	24	24	0,224	5	28,00

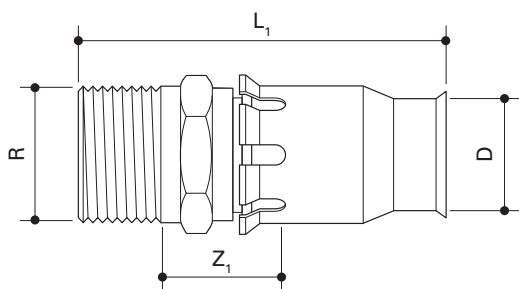


alpex-plus adapter with MT



Male thread adapter according to DIN EN 10226-1 made of dezincification-resistant brass for drinking water and heating system installations featuring fixed stainless steel sleeve and optical indicator for verifying correct positioning. The connection can be released during installation in the dimensions of 16 and 20 mm by means of special tools.

Cat. no.	Description	D [mm]	R ["]	L ₁ [mm]	Z ₁ [mm]	Weight [kg]	QTY [Pcs]	Gross ¹⁾ [€]
87316762	16-R1/2 MS	16	1/2	49	13	0,066	10	4,60
87320762	20-R1/2 MS	20	1/2	52	14	0,076	10	6,90
87320763	20-R3/4 MS	20	3/4	55	16	0,098	10	7,00
87326763	26-R3/4 MS	26	3/4	59	17	0,122	5	17,50
87326764	26-R1 MS	26	1	63	19	0,193	5	19,70



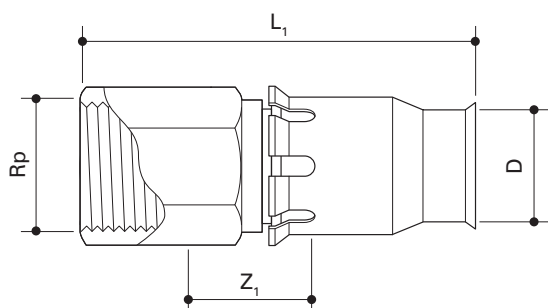
alpex-plus®



alpex-plus adapter with FT

Female thread adapter according to DIN EN 10226-1 made of dezincification-resistant brass for drinking water and heating system installations featuring fixed stainless steel sleeve and optical indicator for verifying correct positioning. The connection can be released during installation in the dimensions of 16 and 20 mm by means of special tools.

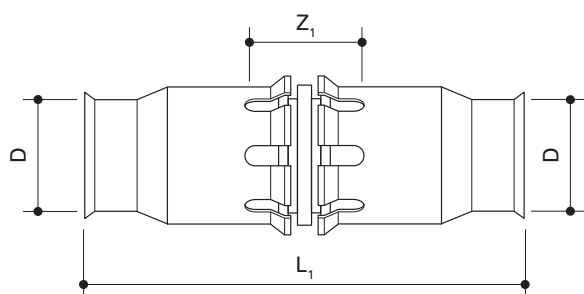
Cat. no.	Description	D [mm]	Rp ["]	L ₁ [mm]	Z ₁ [mm]	Weight [kg]	QTY [Pcs]	Gross ¹⁾ [€]
87316772	16-Rp1/2 MS	16	1/2	47	12	0,082	10	5,20
87320772	20-Rp1/2 MS	20	1/2	50	12	0,092	10	6,70
87320773	20-Rp3/4 MS	20	3/4	53	13	0,110	10	7,60
87326773	26-Rp3/4 MS	26	3/4	57	14	0,142	5	19,00
87326774	26-Rp1 MS	26	1	60	16	0,209	5	22,90



alpex-plus coupling

Coupling made of PPSU for drinking water and heating system installations featuring fixed stainless steel sleeves and optical indicators for verifying correct positioning. The connection can be released during installation in the dimensions of 16 and 20 mm by means of special tools.

Cat. no.	Description	D [mm]	L ₁ [mm]	Z ₁ [mm]	Weight [kg]	QTY [Pcs]	Gross ¹⁾ [€]
88316100	16-16 PPSU	16	54	14	0,022	10	5,70
88320100	20-20 PPSU	20	60	14	0,031	10	5,95
88326100	26-26 PPSU	26	69	13	0,050	5	9,85



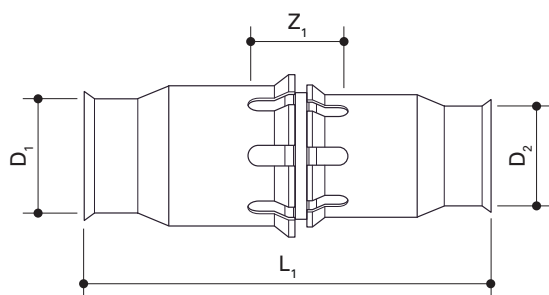
alpex-plus®



alpex-plus reduced coupling

Reduced coupling made of PPSU for drinking water and heating system installations featuring fixed stainless steel sleeves and optical indicators for verifying correct positioning. The connection can be released during installation in the dimensions of 16 and 20 mm by means of special tools.

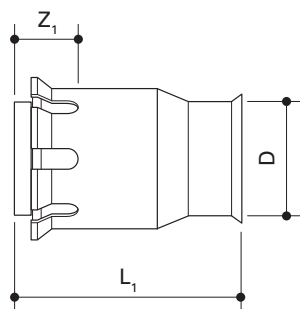
Cat. no.	Description	D ₁ [mm]	D ₂ [mm]	L ₁ [mm]	Z ₁ [mm]	Weight [kg]	QTY [Pcs]	Gross ¹⁾ [€]
88320130	20-16 PPSU	20	16	56	13	0,026	10	5,95
88326130	26-16 PPSU	26	16	61	14	0,036	5	7,80
88326150	26-20 PPSU	26	20	64	14	0,040	5	9,60



alpex-plus end cap

End cap made of PPSU to seal pipe ends in drinking water and heating systems featuring fixed stainless steel sleeve and optical indicator for verifying correct positioning. The connection can be released during installation in the dimensions of 16 and 20 mm by means of special tools.

Cat. no.	Description	D [mm]	L ₁ [mm]	Z ₁ [mm]	Weight [kg]	QTY [Pcs]	Gross ¹⁾ [€]
88316820	16 mm PPSU	16	28	6	0,012	10	3,70



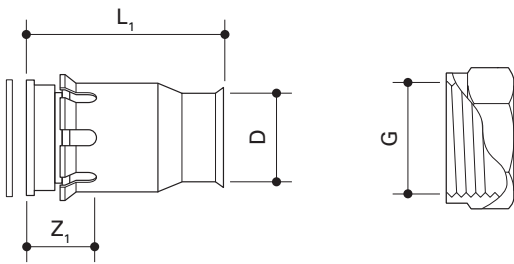
alpex-plus®



alpex-plus transition coupling

Flat-sealing adapter made of dezincification-resistant brass to create detachable connections in drinking water and heating systems featuring fixed stainless steel sleeve and optical indicator for verifying correct positioning. The connection can be released during installation in the dimensions of 16 and 20 mm by means of special tools.

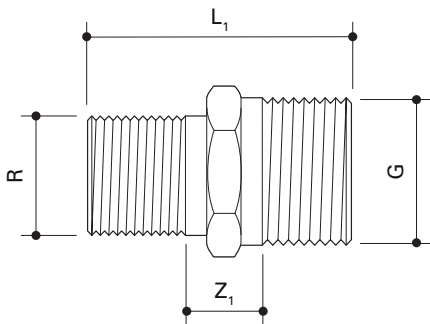
Cat. no.	Description	D [mm]	G ["]	L ₁ [mm]	Z ₁ [mm]	Weight [kg]	QTY [Pcs]	Gross ¹⁾ [€]
87316672	flat-sealing 16-G1/2 MS	16	1/2	41	22	0,061	10	7,05
87316673	flat-sealing 16-G3/4 MS	16	3/4	33	22	0,070	10	8,20
87320672	flat-sealing 20-G1/2 MS	20	1/2	44	22	0,069	10	9,85
87320673	flat-sealing 20-G3/4 MS	20	3/4	44	22	0,093	10	9,85
87326674	flat-sealing 26-G1 MS	26	1	53	25	0,155	5	17,30



alpex connection coupling

Flat-sealing connection coupling made of brass to create detachable connections in combination with alpex flat-sealing adapters. R-thread according to DIN EN 10226-1, G-thread according to DIN EN ISO 228-1.

Cat. no.	Description	R ["]	G ["]	L ₁ [mm]	Z ₁ [mm]	Weight [kg]	QTY [Pcs]	Gross ¹⁾ [€]
85900932	flat-sealing R1/2-G3/4 MS	1/2	3/4	35	7	0,094	10	5,30
85900943	flat-sealing R3/4-G1 MS	3/4	1	40	9	0,159	10	11,40



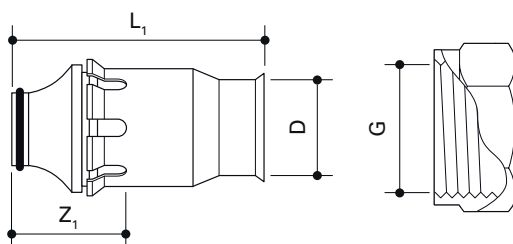
alpex-plus®



alpex-plus push-fit connection

Female thread push-fit connection coupling according to DIN EN ISO 228 and Eurocone made of PPSU featuring fixed stainless steel sleeve and optical indicator for verifying correct positioning to connect alpex pipes to devices, fittings and shaped parts featuring Eurocone. The connection can be released during installation in the dimensions of 16 and 20 mm by means of special tools.

Cat. no.	Description	D [mm]	G ["]	L ₁ [mm]	Z ₁ [mm]	Weight [kg]	QTY [Pcs]	Gross ¹⁾ [€]
88316710	Eurocone 16-G3/4 PPSU	16	3/4	37	17	0,045	10	6,30

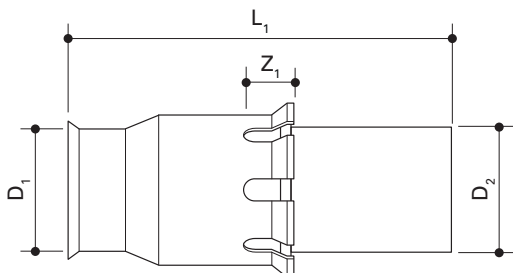


alpex-plus press adapter, SST/CU



Press adapter made of dezincification-resistant brass to connect alpex and turatec multilayer composite pipes with copper, carbon steel or stainless steel pressing systems with V- or M-contour in drinking water and heating systems featuring fixed stainless steel sleeve and optical indicator for verifying correct positioning. The connection can be released during installation in the dimensions of 16 and 20 mm by means of special tools.

Cat. no.	Description	D ₁ [mm]	D ₂ [mm]	L ₁ [mm]	Z ₁ [mm]	Weight [kg]	QTY [Pcs]	Gross ¹⁾ [€]
87316736	16-15 MS	16	15	57	11	0,047	10	8,00
87320737	20-22 MS	20	22	60	8	0,069	10	10,60
87326736	26-22 MS	26	22	64	8	0,095	5	15,05



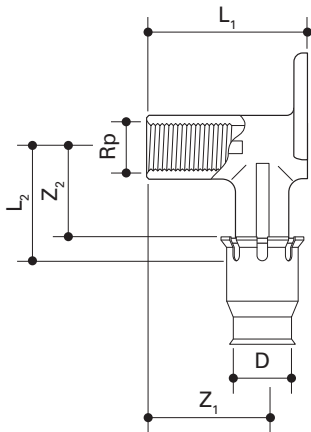
alpex-plus®



alpex-plus wall mount elbow

Female thread 35 mm wall mount elbow according to DIN EN 10226-1 made of dezincification-resistant brass for fitting connection in tee and serial installations in drinking water systems featuring fixed stainless steel sleeve and optical indicator for verifying correct positioning. The connection can be released during installation in the dimensions of 16 and 20 mm by means of special tools.

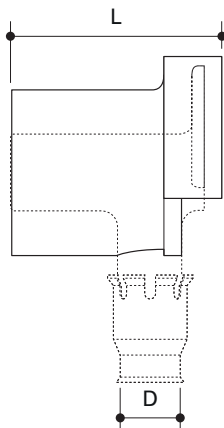
Cat. no.	Description	D [mm]	Rp ["]	L ₁ [mm]	L ₂ [mm]	Z ₁ [mm]	Z ₂ [mm]	Weight [kg]	QTY [Pcs]	Gross ¹⁾ [€]
87316720	35 mm 16-Rp1/2 MS	16	1/2	35	43	18	23	0,122	10	9,85
87320720	35 mm 20-Rp1/2 MS	20	1/2	35	46	18	23	0,133	10	12,60
87320723	35 mm 20-Rp3/4 MS	20	3/4	35	48	17	25	0,144	10	16,90



alpex noise absorption kit for wall mount elbow 35 mm

Noise absorption kit for wall mount elbow 35 mm to decouple from masonry and enhance noise insulation.

Cat. no.	Description	D [mm]	L [mm]	Weight [kg]	QTY [Pcs]	Gross ¹⁾ [€]
84916215	for wall mount elbow 35 mm Rp1/2	16-20	56	0,031	10	4,90
84926215	for wall mount elbow 35 mm Rp3/4	20	56	0,025	10	4,70



¹⁾Gross price per piece, per set, per metre

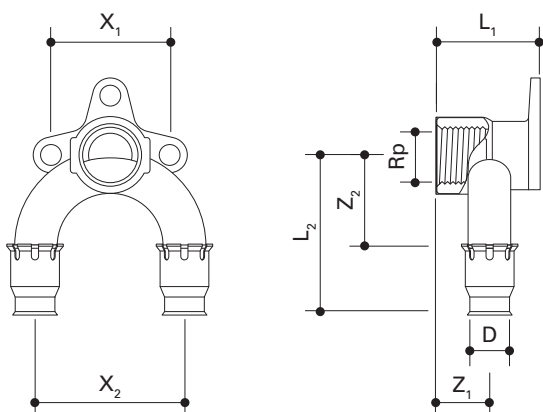
alpex-plus®



alpex-plus double wall mount elbow

Female thread 35 mm double wall mount elbow according to DIN EN 10226-1 made of dezincification-resistant brass for fitting connection in loop and serial installations in drinking water systems featuring fixed stainless steel sleeve and optical indicator for verifying correct positioning. The connection can be released during installation in the dimensions of 16 and 20 mm by means of special tools.

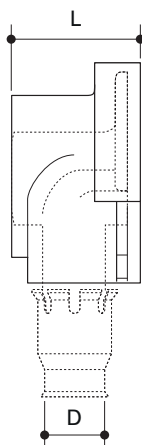
Cat. no.	Description	D [mm]	Rp ["]	L ₁ [mm]	L ₂ [mm]	Z ₁ [mm]	Z ₂ [mm]	X ₁ [mm]	X ₂ [mm]	Weight [kg]	QTY [Pcs]	Gross ¹⁾ [€]
87316749	35 mm 16-Rp1/2-16 MS	16	1/2	35	43	18	39	40	50	0,199	10	36,50
87320749	35 mm 20-Rp1/2-20 MS	20	1/2	35	46	18	39	40	50	0,234	10	42,00



alpex noise absorption kit for double wall mount elbow 35 mm

Noise absorption kit for double wall mount elbow 35 mm to decouple from masonry and maintain noise insulation.

Cat. no.	Description	D [mm]	L [mm]	Weight [kg]	QTY [Pcs]	Gross ¹⁾ [€]
84900216	for 35 mm double wall mount elbow 16-Rp1/2-16 / 20-Rp1/2-20	16-20	44	0,023	5	11,50



¹⁾Gross price per piece, per set, per metre

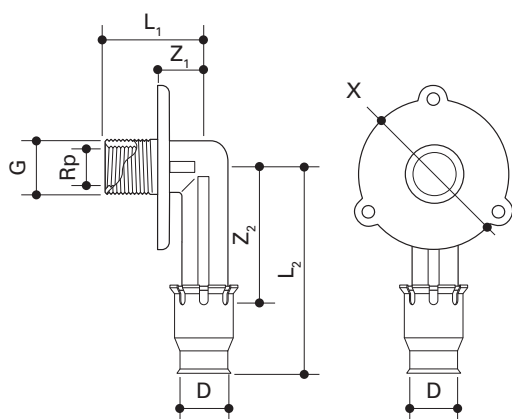
alpex-plus®



alpex-plus concealed cistern elbow

Male and female thread 90° elbow with flange made of dezincification-resistant brass to install in concealed toilet cisterns or light-weight walls in drinking water systems featuring fixed stainless steel sleeve and optical indicator for verifying correct positioning. The connection can be released during installation in the dimensions of 16 and 20 mm by means of special tools.

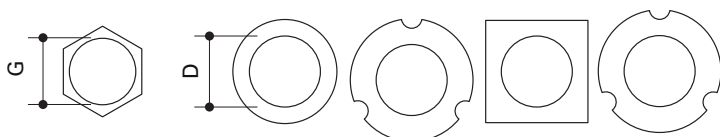
Cat. no.	Description	D [mm]	Rp ["]	G ["]	L ₁ [mm]	L ₂ [mm]	X [mm]	Z ₁ [mm]	Z ₂ [mm]	Weight [kg]	QTY [Pcs]	Gross ¹⁾ [€]
87316724	24 mm - 16-Rp1/2-G3/4 MS	16	1/2	3/4	35	42	50	18	32	0,208	10	19,00



alpex "concealed" type assembly kit

"Concealed" type assembly kit for alpex F50 PROFi and alpex-plus concealed cistern elbow including spacer washer, sound absorbing layer and locknut with 3/4" female thread to install in concealed toilet cisterns.

Cat. no.	Description	D [mm]	G ["]	Weight [kg]	QTY [Set]	Gross ¹⁾ [€]
89516701	"concealed" type	30	3/4	0,300	10	3,85



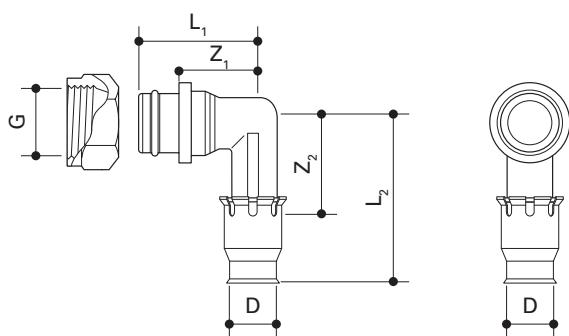
alpex-plus®



alpex-plus elbow adapter

Female thread elbow adapter according to DIN EN ISO 228 made of dezincification-resistant brass to connect Geberit concealed toilet cisterns as of 2002 and MeplaFix / MasterFix connections (male thread MF 1/2) featuring fixed stainless steel sleeve and optical indicator for verifying correct positioning. The connection can be released during installation in the dimensions of 16 and 20 mm by means of special tools.

Cat. no.	Description	D [mm]	G ["]	L ₁ [mm]	L ₂ [mm]	Z ₁ [mm]	Z ₂ [mm]	Weight [kg]	QTY [Pcs]	Gross ¹⁾ [€]
87316850	Geberit Mepla Fix 16-G1/2 MS	16	1/2	33	40	23	20	0,088	10	19,15

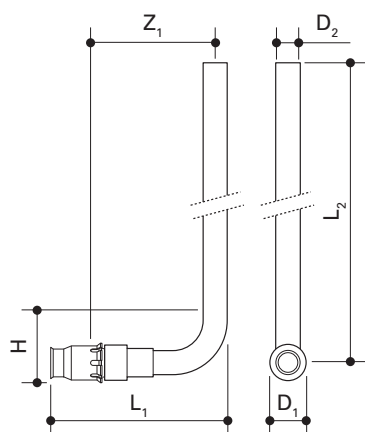


alpex-plus radiator connection bend

Radiator connection bend made of brass with nickel-plated copper pipe 15x1 for wall or floor connection of radiators. With fixed stainless steel sleeve and optical indicator for verifying correct positioning. The connection can be released during installation in the dimensions of 16 and 20 mm by means of special tools.



Cat. no.	Description	D ₁ [mm]	D ₂ [mm]	L ₁ [mm]	L ₂ [mm]	H [mm]	Z ₁ [mm]	Weight [kg]	QTY [Pcs]	Gross ¹⁾ [€]
87316733	16x2 - 15x1 - 330 mm	16	15x1	77	330	40	52	0,179	2	19,15



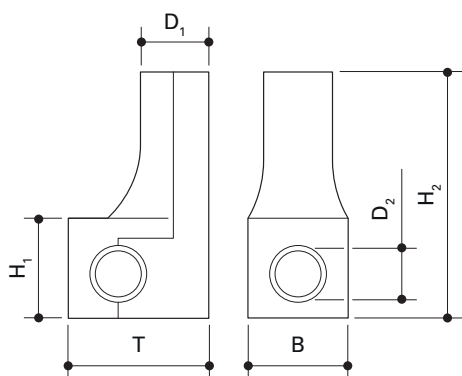
alpex-plus®



alpex noise absorption kit

Noise absorption kit for radiator connection bend and tee to decouple from masonry and enhance noise insulation.

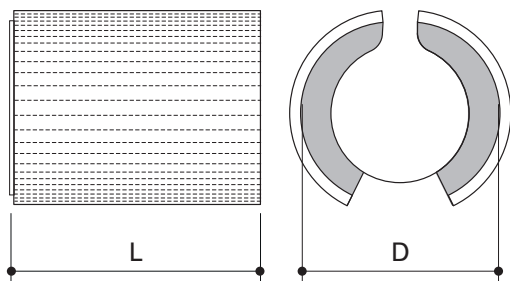
Cat. no.	Description	D ₁ [mm]	D ₂ [mm]	B [mm]	H ₁ [mm]	H ₂ [mm]	T [mm]	Weight [kg]	QTY [Pcs]	Gross ¹⁾ [€]
85900100	for radiator connection tee/bend	35	16-20	49	50	124	70	0,065	2	11,10

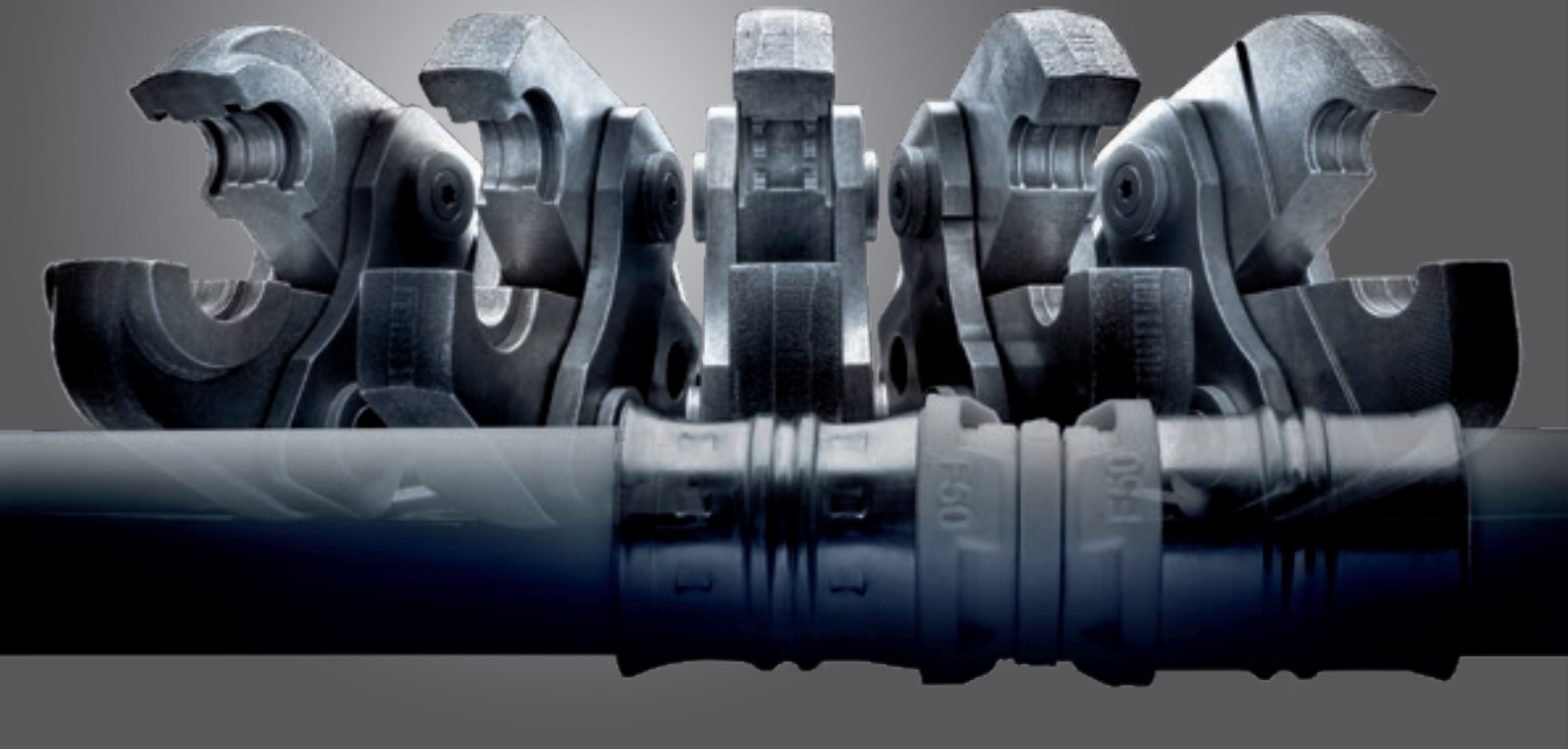


alpex-plus removal tool

Removal tool to release alpex-plus connections during installation.

Cat. no.	Description	D [mm]	L [mm]	Weight [kg]	QTY [Pcs]	Gross ¹⁾ [€]
88316900	16	27	28	0,029	1	42,50
88320900	20	30	33	0,046	1	45,00





alpex tools

- High-quality tools matching our products
- To enable proper installation of alpex systems
- To enable proper installation of ff-therm

alpex tools



alpex press jaw with F-contour

Press jaw with F-contour suited for third-party tools. For information on approved pressing tools, see the compatibility list or on request.

Cat. no.	Description	Weight [kg]	QTY [pcs]	Netto ²⁾ [€]
79016600	F-contour 16	1.95	1	76,00
79020600	F-contour 20	1.93	1	76,00
79026600	F-contour 26	2.05	1	86,00
79032600	F-contour 32	2.10	1	86,00
79040500	F-contour 40	2.02	1	123,00
79050500	F-contour 50	2.40	1	154,00
79063500	F-contour 63	5.00	1	273,00
79075500	F-contour 75	5.00	1	680,00



alpex press jaw with F-contour mini

Press jaw mini with F-contour suited for mini pressing tools by REMS/ROLLER. For information on approved pressing tools, see the compatibility list or on request.

Cat. no.	Description	Weight [kg]	QTY [pcs]	Netto ²⁾ [€]
79016620	REMS/ROLLER MultiPress mini ACC 16	1.19	1	75,00
79020620	REMS/ROLLER MultiPress mini ACC 20	1.18	1	75,00
79026620	REMS/ROLLER MultiPress mini ACC 26	1.23	1	78,00
79032620	REMS/ROLLER MultiPress mini ACC 32	1.17	1	84,00
79040620	REMS/ROLLER MultiPress mini ACC 40	1.24	1	125,00



alpex installation aid

Deburring tool for professional deburring of alpex and turatec multi pipes.

Cat. no.	Description	Weight [kg]	QTY [pcs]	Netto ²⁾ [€]
79002208	Installation aid yellow 14 – 75	0,065	1	11,00



alpex inside/outside deburring tool

Combined deburring and calibration tool for professional external and internal deburring of alpex pipes.

Cat. no.	Description	Weight [kg]	QTY [pcs]	Netto ²⁾ [€]
79002211	① 14-20 mm	0.290	1	34,00
79002213	② 16-32 mm	0.400	1	35,00

alpex tools



alpex deburring tool

Individual deburring and calibration tool for professional deburring of alpex pipes.

Cat. no.	Description	Weight [kg]	QTY [pcs]	Netto ²⁾ [€]
79040218	40	0.335	1	26,00
79050218	50	0.455	1	31,00
79063218	63	0.780	1	40,00
79075218	75	0.700	1	62,00



alpex deburring tool

Deburring and calibration tool kit for professional external and internal deburring of alpex pipes.

Cat. no.	Description	Weight [kg]	QTY [pcs]	Netto ²⁾ [€]
79002250	inside/outside deburring tool 16-32 mm	0.890	1	79,00
79016250	individual deburrer 16	0.064	1	15,00
79020250	individual deburrer 20	0.083	1	15,00
79026250	individual deburrer 26	0.118	1	16,00
79032250	individual deburrer 32	0.187	1	20,00
79000251	T-handle for individual deburrer	0.107	1	9,00



alpex tool box kit

The kit includes a tool box 16-50 mm without contents, one alpex press jaw 16, 20, 26 and 32 mm each, one alpex pipe cutter 16-40 mm and one deburring and calibration tool 16-32 mm. The tool box can be completed with one alpex press jaw 40 and 50 mm each, as well as one deburring and calibration tool 40 and 50 mm each.

Cat. no.	Description	Weight [kg]	QTY [kit]	Netto ²⁾ [€]
79000306	box set 16-32 mm	10.80	1	400,00
79000307	box without contents for 16-50 mm	1.600	1	53,00



alpex pipe cutter

Pipe cutter and replacement cutting wheels for professional cutting of alpex pipes 16 - 75 mm.

Cat. no.	Description	Weight [kg]	QTY [pcs]	Netto ²⁾ [€]
79000225	① pipe cutter for multilayer composite pipes 16-40 mm	0.500	1	37,00
79000228	② pipe cutter for multilayer composite pipes 16-75 mm	0.950	1	70,00
79000227	replacement cutting wheels for pipe cutter 16-40	0.008	1	5,00
79000229	replacement cutting wheels for pipe cutter 16-75	0.014	1	7,00

alpex tools



alpex pipe shears with retaining function

Pipe shears and replacement blade for professional cutting of alpex and ff-therm pipes up to 20 mm.

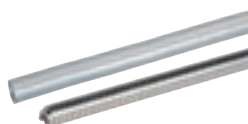
Cat. no.	Description	Weight [kg]	QTY [pcs]	Netto ²⁾ [€]
79000223	pipe shears for alpex and ff-therm pipes up to 20 mm	0.470	1	40,00
79000221	replacement blade for combination/pipe shears	0.020	1	9,00



alpex combination shears

Combination shears with integrated protective sheathing blade and replacement blade for cutting alpex and ff-therm pipes up to 20 mm.

Cat. no.	Description	Weight [kg]	QTY [pcs]	Netto ²⁾ [€]
79000220	combination shears for alpex and ff-therm pipes up to 20 mm	0.341	1	47,00
79000221	replacement blade for combination/pipe shears	0.020	1	9,00
79000222	replacement blade for protective sheathing for combination shears	0.030	1	18,00



alpex bending spring

Bending spring made of galvanised spring steel to bend alpex pipes 16 and 20 mm.

Cat. no.	Description	Weight [kg]	QTY [pcs]	Netto ²⁾ [€]
79116640	internal bending spring 16 x 2	0.220	1	6,00
79120640	internal bending spring 20 x 2	0.300	1	8,00
79116850	external bending spring 16	0.450	1	9,00
79120850	external bending spring 20	0.540	1	11,00

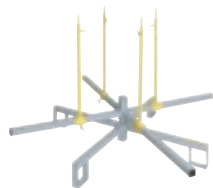


alpex pipe bender set 2x D_o

Pipe bender to create narrow pipe bends with 2x outside diameter of alpex pipes 16 and 20 mm.

Cat. no.	Description	Weight [kg]	QTY [kit]	Netto ²⁾ [€]
79100630	16-20 mm	2.50	1	220,00

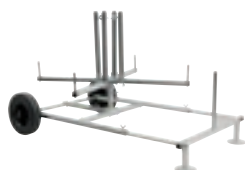
alpex tools



alpex pipe uncoiler compact

Compact pipe uncoiler to install alpex or ff-therm pipes up to a coil size of 600 m. Adjustable uncoiler bars for different core diameters and coil bundle heights.

Cat. no.	Description	Weight [kg]	QTY [pcs]	Netto ²⁾ [€]
79200800	for coils up to 600 m	15.00	1	180,00



alpex pipe uncoiler mobile

Mobile pipe uncoiler to install alpex, turatec or ff-therm pipes up to a coil size of 600 m. Adjustable uncoiler bars for different core diameters and coil bundle heights.

Cat. no.	Description	Weight [kg]	QTY [pcs]	Netto ²⁾ [€]
79200900	for coils up to 600 m	19.00	1	320,00



alpex pressure test plug

Reusable female thread pressure test plug according to DIN EN 10226-1 to pressure-test alpex pipes up to 15 bar.

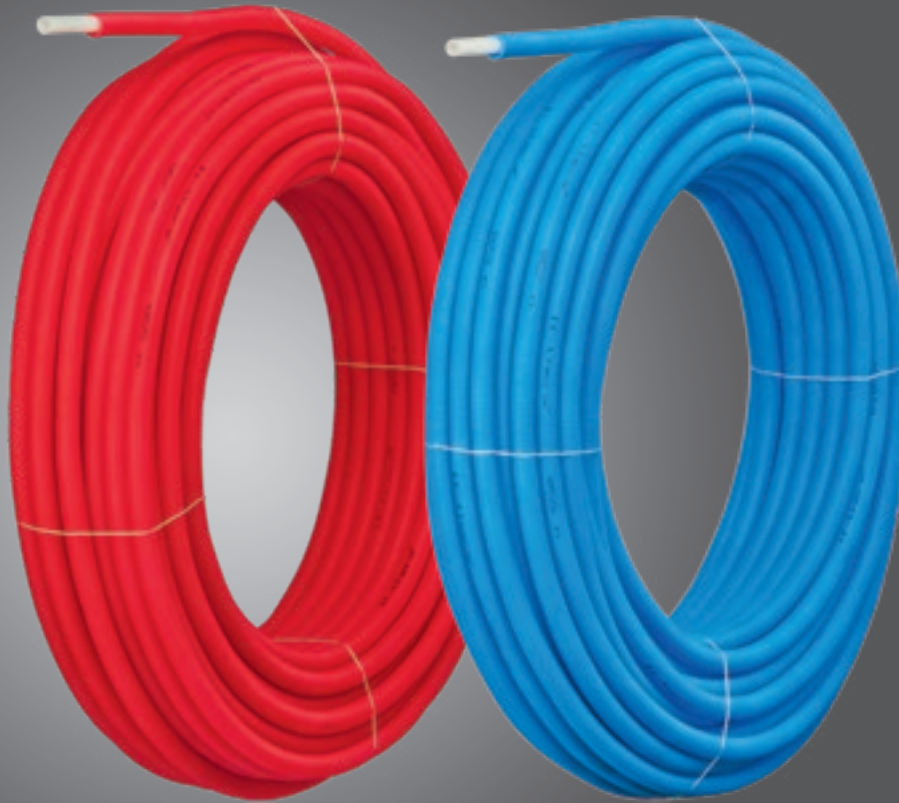
Cat. no.	Description	Weight [kg]	QTY [pcs]	Netto ²⁾ [€]
79116001	16-Rp1/2	0.055	1	2,80
79120001	20-Rp1/2	0.060	1	3,00



alpex pressure test plug with vent plug

Reusable female thread pressure test plug according to DIN EN 10226-1 and vent plug to pressure-test alpex pipes up to 15 bar.

Cat. no.	Description	Weight [kg]	QTY [pcs]	Netto ²⁾ [€]
79116000	16	0.190	1	17,00
79120000	20	0.220	1	18,00
79126000	26	0.250	1	19,00
79132000	32	0.375	1	20,00



ff-therm[®] / profitherm[®]

- Flexible floor and wall installation system
- For modern radiant heating and cooling systems
- Suited for all press fittings and alpex-plus push-fit fittings in dimensions of 16x2 and 20x2 mm

ff-therm® / profitherm®

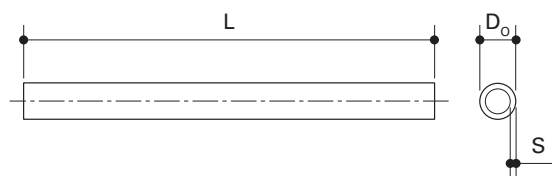


ff-therm multi pipe Difustop PE-Xa

Turquoise coloured solid plastic pipe in coils made of cross-linked polyethylene (PE-Xa) according to EN ISO 15875, with diffusion barrier, impermeable to oxygen according to DIN 4726, for heating and cooling system installations.

- Maximum constant operating pressure: 6 bar
- Maximum continuous operating temperature: 95 °C

Cat. no.	Description	D _o [mm]	S [mm]	L [m]	Weight [kg]	QTY [m]	Gross ¹⁾ [€]
71016906	in coils 16x2	16	2	600	54.60	600	1,60



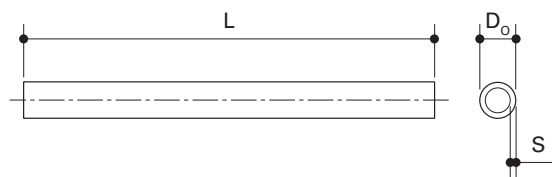
ff-therm multi pipe Difustop PE-Xa



Transparent solid plastic pipe in coils made of cross-linked polyethylene (PE-Xa) according to EN ISO 15875, with diffusion barrier, impermeable to oxygen according to DIN 4726, for heating and cooling system installations.

- Maximum constant operating pressure: 6 bar
- Maximum continuous operating temperature: 95 °C

Cat. no.	Description	D _o [mm]	S [mm]	L [m]	Weight [kg]	QTY [m]	Gross ¹⁾ [€]
71017900	in coils 17x2	17	2	600	58.80	600	1,70
71020919	in coils 20x2	20	2	500	59.00	500	1,95
71025700	in coils 25x2.3	25	2.3	200	36.00	200	3,00



ff-therm® / profitherm®

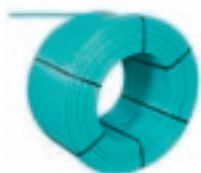
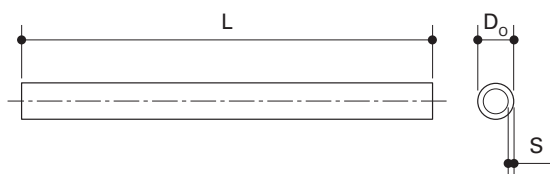


ff-therm multi pipe Difustop PE-Xa

Transparent solid plastic pipe in coils made of cross-linked polyethylene (PE-Xa) according to EN ISO 15875, with diffusion barrier, impermeable to oxygen according to DIN 4726, for heating and cooling system installations.

- Maximum constant operating pressure: 10 bar
- Maximum continuous operating temperature: 95 °C

Cat. no.	Description	D _o [mm]	S [mm]	L [m]	Weight [kg]	QTY [m]	Gross ¹⁾ [€]
71016915	in coils 16x2.2	16	2.2	500	50	500	1,80

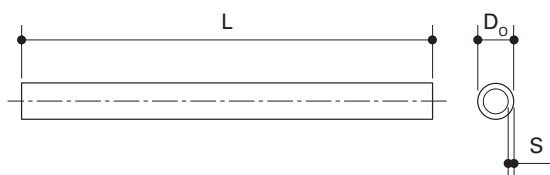


ff-therm multi pipe Difustop PE-RT

Turquoise coloured solid plastic pipe in coils made of polyethylene of raised temperature (PE-RT) according to EN ISO 22391, with diffusion barrier, impermeable to oxygen according to DIN 4726, for heating and cooling system installations.

- Maximum constant operating pressure: 6 bar
- Maximum continuous operating temperature: 70 °C

Cat. no.	Description	D _o [mm]	S [mm]	L [m]	Weight [kg]	QTY [m]	Gross ¹⁾ [€]
75016906	in coils 16x2	16	2	600	56.10	600	1,40



ff-therm® / profitherm®

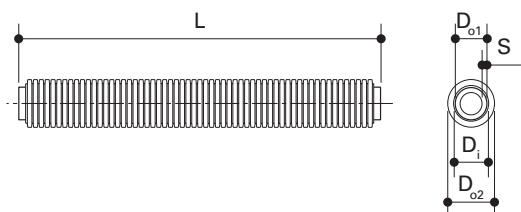
ff-therm multi pipe Difustop PE-Xa with protective sheathing



Transparent solid plastic pipe in coils made of cross-linked polyethylene (PE-Xa) according to EN ISO 15875, with diffusion barrier, impermeable to oxygen according to DIN 4726, for heating and cooling system installations, wrapped in PE-HD protective sheathing.

- Maximum constant operating pressure: 6 bar
- Maximum continuous operating temperature: 95 °C

Cat. no.	Description	D _o [mm]	S [mm]	D _{o2} [mm]	D _i [mm]	L [m]	Weight [kg]	QTY [m]	Gross ¹⁾ [€]
72016630	with protective sheathing - 16x2 - 24/19 red	16	2	24	19	180	25.38	180	2,25
72016631	with protective sheathing - 16x2 - 24/19 blue	16	2	24	19	180	28.38	180	2,25



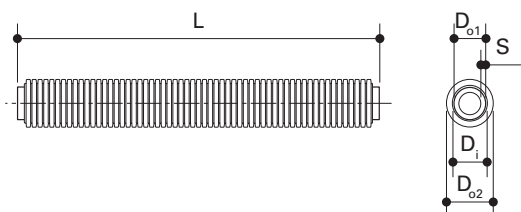
ff-therm multi pipe Difustop PE-Xa with protective sheathing



Transparent solid plastic pipe in coils made of cross-linked polyethylene (PE-Xa) according to EN ISO 15875, with diffusion barrier, impermeable to oxygen according to DIN 4726, for heating and cooling system installations, wrapped in PE-HD protective sheathing.

- Maximum constant operating pressure: 10 bar
- Maximum continuous operating temperature: 95 °C

Cat. no.	Description	D _o [mm]	S [mm]	D _{o2} [mm]	D _i [mm]	L [m]	Weight [kg]	QTY [m]	Gross ¹⁾ [€]
72016616	with protective sheathing - 16x2.2 - 24/19 red	16	2.2	24	19	180	27.18	180	2,50
72016615	with protective sheathing - 16x2.2 - 24/19 blue	16	2.2	24	19	180	27.18	180	2,50



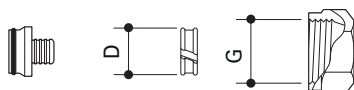
ff-therm® / profitherm®



ff-therm threaded connector, nickel-plated

Female thread connection coupling according to DIN EN ISO 228 and Eurocone made of brass with nickel-plated union nut to connect ff-therm pipes to devices, fittings and shaped parts featuring Eurocone.

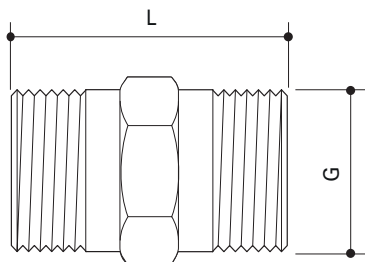
Cat. no.	Description	D [mm]	G ["]	Weight [kg]	QTY [pcs]	Gross ¹⁾ [€]
72816715	Eurocone 16x2-G3/4	16	3/4	0.071	10	3,70
72816720	Eurocone 16x2.2-G3/4	16	3/4	0.071	10	3,80
72817715	Eurocone 17x2-G3/4	17	3/4	0.062	2	4,70
72820715	Eurocone 20x2-G3/4	20	3/4	0.068	2	5,10



alpex double nipple

Male thread connection coupling according to DIN EN ISO 228 made of nickel-plated brass to connect alpex threaded connector with Eurocone.

Cat. no.	Description	G ["]	L [mm]	Weight [kg]	QTY [pcs]	Gross ¹⁾ [€]
72800100	Eurocone G3/4-G3/4 MS	3/4	27	0.062	10	5,35



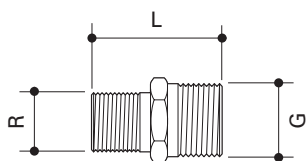
ff-therm® / profitherm®



alpex connection coupling

Male thread connection coupling according to DIN EN 10226-1 and DIN EN ISO 228 made of nickel-plated brass to connect alpex threaded connector with Eurocone to fittings.

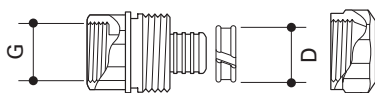
Cat. no.	Description	R ["]	G ["]	L [mm]	Weight [kg]	QTY [pcs]	Gross ¹⁾ [€]
72800712	Eurocone R1/2-G3/4	1/2	3/4	34	0.063	25	5,00



ff-therm threaded connector

Female thread transition coupling according to DIN EN ISO 228 made of brass for heating and cooling system installations.

Cat. no.	Description	D [mm]	G ["]	Weight [kg]	QTY [pcs]	Gross ¹⁾ [€]
71825710	for PE-Xa pipe 25x2.3-G3/4	25	3/4	0.182	10	16,10



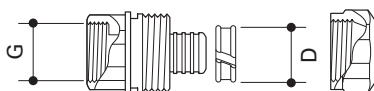
ff-therm® / profitherm®

ff-therm threaded connector



Male thread transition coupling to DIN EN ISO 228 made of brass for heating and cooling system installations

Cat. no.	Description	D [mm]	G ["]	Weight [kg]	QTY [pcs]	Gross ¹⁾ [€]
71825714	for PE-Xa pipe 25x2.3-G1	25	1	0.190	10	17,50

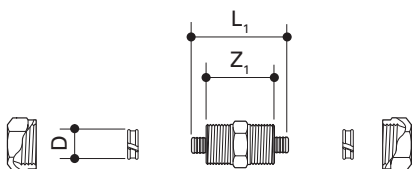


ff-therm coupling



Connection coupling made of brass to connect ff-therm pipes for heating and cooling system installations.

Cat. no.	Description	D [mm]	L ₁ [mm]	Z ₁ [mm]	Weight [kg]	QTY [pcs]	Gross ¹⁾ [€]
71825100	for PE-Xa pipe 25-25	25	56	33	0.260	10	17,80



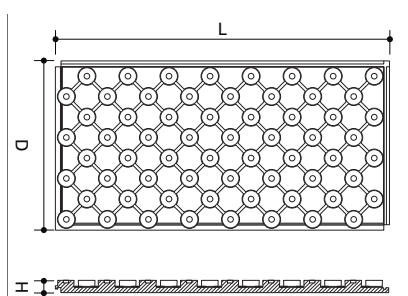
ff-therm® / profitherm®



profitherm knob plate

Knob plate made of standard expanded polystyrene (EPS) of thermal conductivity group 040. Each plate features interlocking edges. Allowing pipe distances of 7.5 cm and its multiples

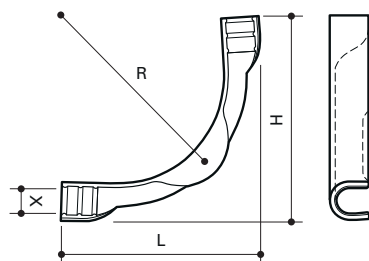
Cat. no.	Description	D [mm]	H [mm]	L [mm]	Weight [kg/plate]	QTY [m ²]	Gross ¹⁾ [€]
71900202-01	Type MD - Medium Density	600	45	1200	0.485	7.2	7,20
71900203-01	Type HD - High Density	600	45	1200	0.616	7.2	9,50



profi therm bend support

Bend support made of plastic to redirect ff-therm and profi therm AL pipes.

Cat. no.	Description	L [mm]	H [mm]	R [mm]	X [mm]	Weight [kg]	QTY [pcs]	Gross ¹⁾ [€]
71900102	16-17 mm	110	110	90	17	0.033	50	1,35
71900142	20 mm	144	144	100	20	0.063	50	1,55



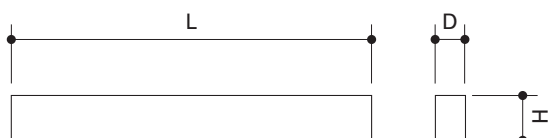
ff-therm® / profitherm®



profitherm edge insulation strip

Edge insulation strip made of PE foam with adhesive to decouple the heated screed from the building mass. Offering the option of moving 5 mm required according to EN 1264 for heated screed and also preventing sound and heat bridges.

Cat. no.	Description	D [mm]	H [mm]	L [m]	Weight [kg]	QTY [m]	Gross ¹⁾ [€]
71900111-01	8x150 mm, with adhesive tape	8	150	25	0.825	25	1,40



profitherm expansion joint profile

Expansion joint profile made of PE foam to achieve an elastic joint between and on the perimeter of heated screed slabs.

Cat. no.	Description	D [mm]	H [mm]	L [mm]	Weight [kg]	QTY [pcs]	Gross ¹⁾ [€]
71950112	10/50	10	50	1200	0.100	20	9,60



profitherm screed additive

As additive for cement screeds according to DIN 18560 made of not flammable, chlorid free modified polyglycol ether.

- General: 0.035 kg screed additive for each centimetre of screed and m² of area

Cat. no.	Description	pH	Density [g/cm ³]	Weight [kg]	QTY [kg]	Gross ¹⁾ [€]
71900116	10 kg canister	7-9	50	11	10	5,45

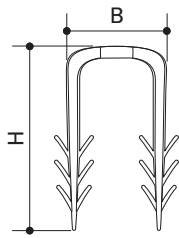
ff-therm® / profitherm®



profitherm fixing staples

For fixing ff-therm pipes to polystyrene insulation where necessary.

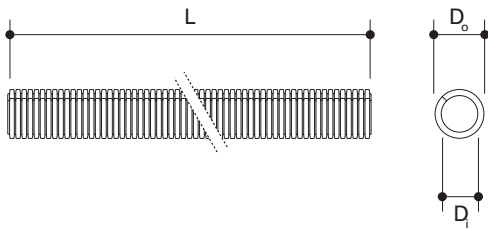
Cat. no.	Description	B [mm]	H [mm]	Weight [kg/100 pcs.]	QTY [pcs]	Gross ¹⁾ [€]
71900109	for 16x2	20	50	0.148	500	0,17



profitherm protective sheathing

Protective sheathing made of PE-HD for expansion or movement joints in screed.

Cat. no.	Description	D _o [mm]	D _i [mm]	L [mm]	Weight [kg]	QTY [pcs]	Gross ¹⁾ [€]
71900134	for 16x2	24	19	400	0.029	50	0,63



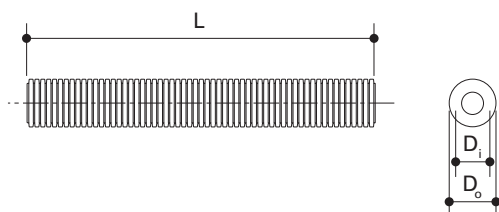
ff-therm® / profitherm®



ff-therm protective sheathing red / blue / black

Protective sheathing made of PE-HD to insert ff-therm pipes and provide additional protection against mechanical damage.

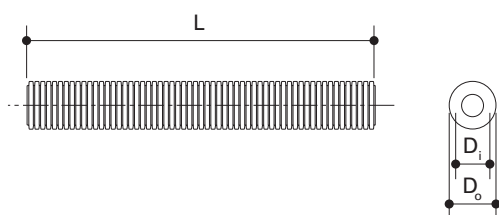
Cat. no.	Description	D _o [mm]	D _i [mm]	L [m]	Weight [kg]	QTY [m]	Gross ¹⁾ [€]
79916200	in coils 24/19 red for 16x2	24	19	100	6.20	100	0,75
79916201	in coils 24/19 blue for 16x2	24	19	100	6.20	100	0,75
79920200	in coils 28/23 red for 20x2	28	23	50	3.50	50	1,00
79920201	in coils 28/23 blue for 20x2	28	23	50	3.50	50	1,00
79825103	in coils 35/28 black for 25x2.3	35	28	50	5.40	50	1,25



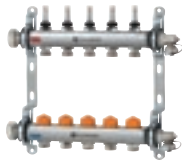
ff-therm protective sheathing red / blue - Local supply

Protective sheathing made of PE-HD to insert ff-therm pipes and provide additional protection against mechanical damage.

Cat. no.	Description	D _o [mm]	D _i [mm]	L [m]	Weight [kg]	QTY [m]	Gross ¹⁾ [€]
71900601	in coils 25/20 red/blue for 16x2, local supply	25	20	100	6.20	100	0,40
71900603	in coils 31/26 red/blue for 20x2, local supply	31	26	100	7.00	100	0,50
71900604	in coils 36/30 red/blue for 25x2.3, local supply	36	30	100	10.80	100	0,60



ff-therm® / profitherm®

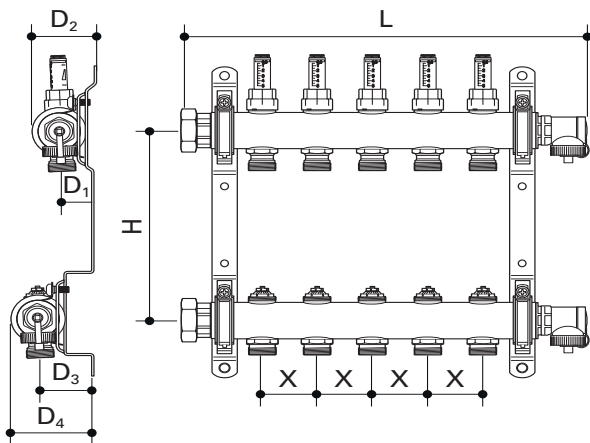


profitherm floor heating manifold with automatic flow control

Heating circuit manifold made of stainless steel with integrated IMI Heimeier Eclipse thermostatic insert with automatic flow control and connection on the left, flat-sealing. Design with flow indicators and valves for profitherm actuators, with filling and discharge devices.

- Heating circuit connections: G 3/4" Eurocone
- Heating circuit spacing: 50 mm

Cat. no.	Description	L [mm]	X [mm]	H [mm]	D ₁ [mm]	D ₂ [mm]	D ₃ [mm]	D ₄ [mm]	Weight [kg]	QTY [pcs]	Gross ¹⁾ [€]
79506064	w/ flow limiter 2 circuits - G3/4	220	50	200	32	54	52	75	2.000	1	215,00
79506065	w/ flow limiter 3 circuits - G3/4	270	50	200	32	54	52	75	2.400	1	265,00
79506066	w/ flow limiter 4 circuits - G3/4	320	50	200	32	54	52	75	2.800	1	315,00
79506067	w/ flow limiter 5 circuits - G3/4	370	50	200	32	54	52	75	3.200	1	365,00
79506068	w/ flow limiter 6 circuits - G3/4	420	50	200	32	54	52	75	3.600	1	415,00
79506069	w/ flow limiter 7 circuits - G3/4	470	50	200	32	54	52	75	4.000	1	465,00
79506070	w/ flow limiter 8 circuits - G3/4	520	50	200	32	54	52	75	4.400	1	515,00
79506071	w/ flow limiter 9 circuits - G3/4	570	50	200	32	54	52	75	4.800	1	565,00
79506072	w/ flow limiter 10 circuits - G3/4	620	50	200	32	54	52	75	5.200	1	605,00
79506073	w/ flow limiter 11 circuits - G3/4	670	50	200	32	54	52	75	5.600	1	655,00
79506074	w/ flow limiter 12 circuits - G3/4	720	50	200	32	54	52	75	6.000	1	705,00



ff-therm® / profitherm®

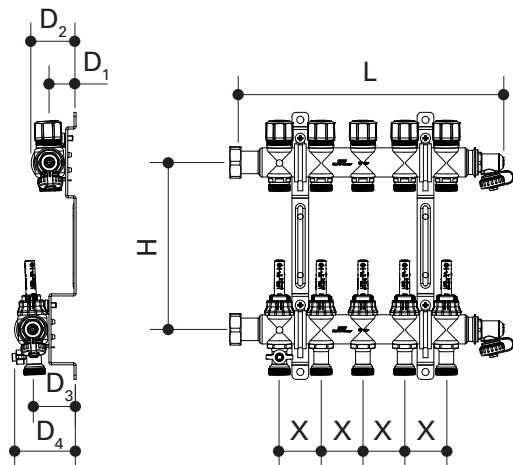


profitherm heating circuit manifold

Heating circuit manifold made of stainless steel with integrated valves and connection on the left, flat-sealing. Design with adjustable flow rate indicators and valves for profitherm actuators, with filling and discharge devices.

- Heating circuit connections: G 3/4" Eurocone
- Heating circuit spacing: 50 mm

Cat. no.	Description	L [mm]	X [mm]	H [mm]	D ₁ [mm]	D ₂ [mm]	D ₃ [mm]	D ₄ [mm]	Weight [kg]	QTY [pcs]	Gross ¹⁾ [€]
79503002	w/ topmeter 2 circuits - G3/4	168	50	200	32	54	52	74	1.820	1	135,00
79503003	w/ topmeter 3 circuits - G3/4	218	50	200	32	54	52	74	2.210	1	160,00
79503004	w/ topmeter 4 circuits - G3/4	268	50	200	32	54	52	74	2.610	1	185,00
79503005	w/ topmeter 5 circuits - G3/4	318	50	200	32	54	52	74	2.990	1	210,00
79503006	w/ topmeter 6 circuits - G3/4	368	50	200	32	54	52	74	3.380	1	235,00
79503007	w/ topmeter 7 circuits - G3/4	418	50	200	32	54	52	74	3.780	1	260,00
79503008	w/ topmeter 8 circuits - G3/4	468	50	200	32	54	52	74	4.180	1	285,00
79503009	w/ topmeter 9 circuits - G3/4	518	50	200	32	54	52	74	5.120	1	310,00
79503010	w/ topmeter 10 circuits - G3/4	568	50	200	32	54	52	74	5.571	1	335,00
79503011	w/ topmeter 11 circuits - G3/4	618	50	200	32	54	52	74	6.009	1	360,00
79503012	w/ topmeter 12 circuits - G3/4	668	50	200	32	54	52	74	6.360	1	395,00



ff-therm® / profitherm®

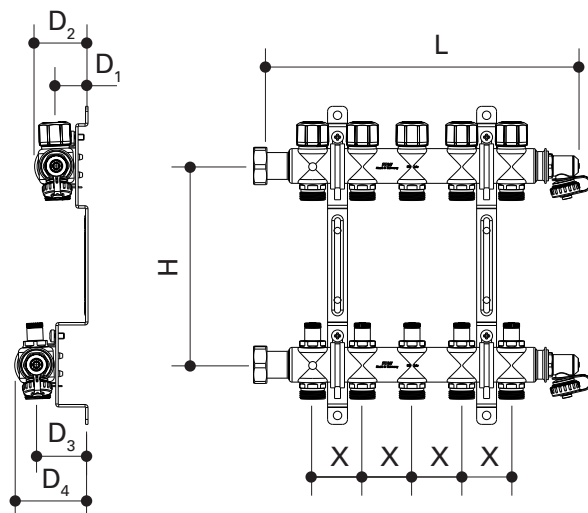


profitherm heating circuit manifold

Heating circuit manifold made of stainless steel with integrated valves and connection on the left, flat-sealing. Design with fine-control valves and valves for profitherm actuators, with filling and discharge devices.

- Heating circuit connections: G 3/4" Eurocone
- Heating circuit spacing: 50 mm

Cat. no.	Description	L [mm]	X [mm]	H [mm]	D ₁ [mm]	D ₂ [mm]	D ₃ [mm]	D ₄ [mm]	Weight [kg]	QTY [pcs]	Gross ¹⁾ [€]
79503102	w/ control valve 2 circuits - G3/4	168	50	200	32	54	52	74	1.760	1	120,00
79503103	w/ control valve 3 circuits - G3/4	218	50	200	32	54	52	74	2.130	1	140,00
79503104	w/ control valve 4 circuits - G3/4	268	50	200	32	54	52	74	2.510	1	160,00
79503105	w/ control valve 5 circuits - G3/4	318	50	200	32	54	52	74	2.880	1	180,00
79503106	w/ control valve 6 circuits - G3/4	368	50	200	32	54	52	74	3.280	1	200,00
79503107	w/ control valve 7 circuits - G3/4	418	50	200	32	54	52	74	3.650	1	220,00
79503108	w/ control valve 8 circuits - G3/4	468	50	200	32	54	52	74	4.030	1	240,00
79503109	w/ control valve 9 circuits - G3/4	518	50	200	32	54	52	74	4.390	1	260,00
79503110	w/ control valve 10 circuits - G3/4	568	50	200	32	54	52	74	4.770	1	280,00
79503111	w/ control valve 11 circuits - G3/4	618	50	200	32	54	52	74	5.170	1	300,00
79503112	w/ control valve 12 circuits - G3/4	668	50	200	32	54	52	74	5.940	1	330,00



ff-therm® / profitherm®

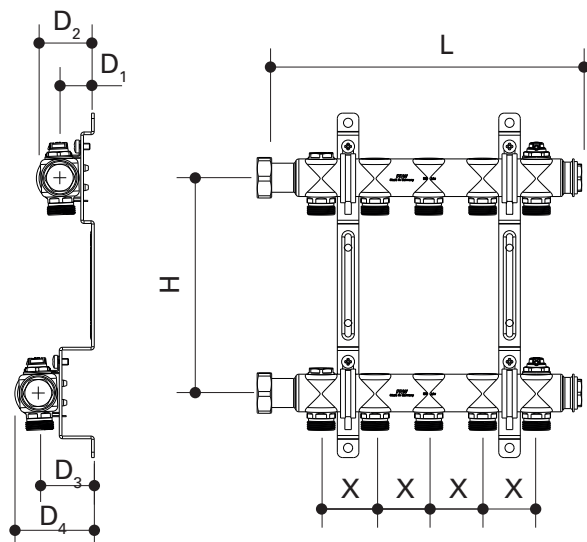


profitherm heating circuit manifold

Heating circuit manifold made of stainless steel without valves, with connection on the left, flat-sealing, with venting devices.

- Heating circuit connections: G 3/4" Eurocone
- Heating circuit spacing: 50 mm

Cat. no.	Description	L [mm]	X [mm]	H [mm]	D ₁ [mm]	D ₂ [mm]	D ₃ [mm]	D ₄ [mm]	Weight [kg]	QTY [pcs]	Gross ¹⁾ [€]
79503202	2 circuits - G3/4	142	50	200	32	54	52	74	0.950	1	75,00
79503203	3 circuits - G3/4	192	50	200	32	54	52	74	1.380	1	85,00
79503204	4 circuits - G3/4	242	50	200	32	54	52	74	1.590	1	95,00
79503205	5 circuits - G3/4	292	50	200	32	54	52	74	1.830	1	105,00
79503206	6 circuits - G3/4	342	50	200	32	54	52	74	2.070	1	115,00
79503207	7 circuits - G3/4	392	50	200	32	54	52	74	2.310	1	125,00
79503208	8 circuits - G3/4	442	50	200	32	54	52	74	2.520	1	135,00
79503209	9 circuits - G3/4	492	50	200	32	54	52	74	2.730	1	145,00
79503210	10 circuits - G3/4	542	50	200	32	54	52	74	2.970	1	155,00
79503211	11 circuits - G3/4	592	50	200	32	54	52	74	3.140	1	165,00
79503212	12 circuits - G3/4	642	50	200	32	54	52	74	3.420	1	175,00



¹⁾Gross price per piece, per set, per metre

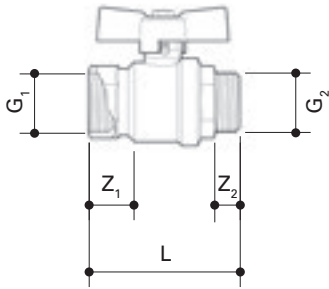
ff-therm® / profitherm®



profitherm ball valve

Ball valve for profitherm manifold to shut off supply and return pipes.

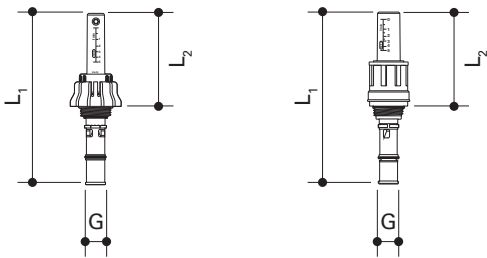
Cat. no.	Description	G ₁ ["]	G ₂ ["]	L [mm]	Z ₁ [mm]	Z ₂ [mm]	Weight [kg]	QTY [pcs]	Gross ¹⁾ [€]
79501130	FT1 - MT1	1	1	73	19	21	0.360	2	16,00



profitherm flow rate meter

Flow rate meter as a replacement for heating circuit manifolds with adjustable flow rate indicators.

Cat. no.	Description	L ₁ [mm]	L ₂ [mm]	G ["]	Weight [kg]	QTY [pcs]	Netto ²⁾ [€]
79506063	w/ interlocking mechanism until 06/2016	125	74	1/2	0.079	1	11,00
79506063-01	w/ interlocking mechanism from 06/2016	120	69	1/2	0.034	1	11,00



ff-therm® / profitherm®

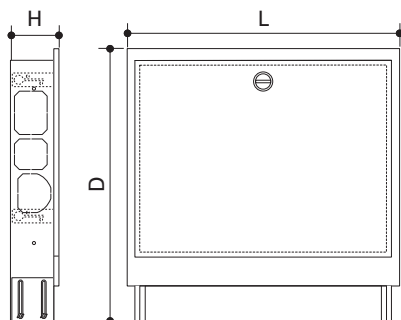


profitherm manifold cabinet - Flush mounted

Height and width adjustable manifold cabinet for in-wall installation, made of galvanised sheet steel, with pipe knockouts both sides.

- Brackets for manifold
- Screed cover trim, adjustable
- Standard rail for accepting the profitherm control components

Cat. no.	Description	L [mm]	D [mm]	H [m]	Weight [kg]	QTY [m]	Gross ¹⁾ [€]
71906001	In-wall - Type 1	600	700	110	11	1	85,00
71906002	In-wall - Type 2	800	700	110	13	1	105,00
71906003	In-wall - Type 3	1000	700	110	15	1	125,00
71906004	In-wall - Type 4	1200	700	110	17	1	145,00

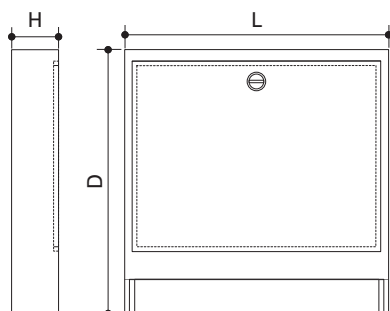


profitherm manifold cabinet - Surface mounted

Manifold cabinet for on-wall installation made of galvanised sheet steel.

- Brackets for manifold
- Standard rail for accepting the profitherm control components

Cat. no.	Description	L [mm]	H [mm]	D [m]	Weight [kg]	QTY [pcs]	Gross ¹⁾ [€]
71906005	On-wall - Type 1	600	700	110	10	1	85,00
71906006	On-wall - Type 2	800	700	110	12	1	105,00
71906007	On-wall - Type 3	1000	700	110	14	1	125,00
71906008	On-wall - Type 4	1200	700	110	16	1	145,00

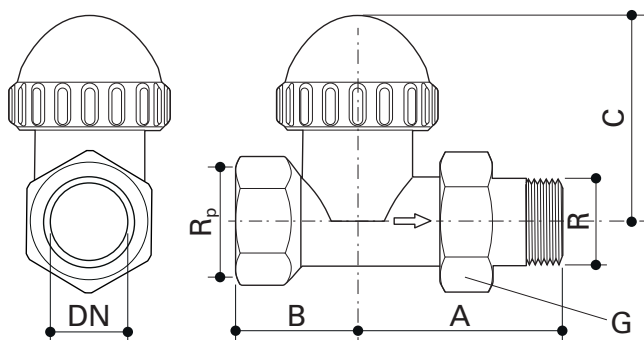


ff-therm® / profitherm®

**profitherm 2-way zone valve**

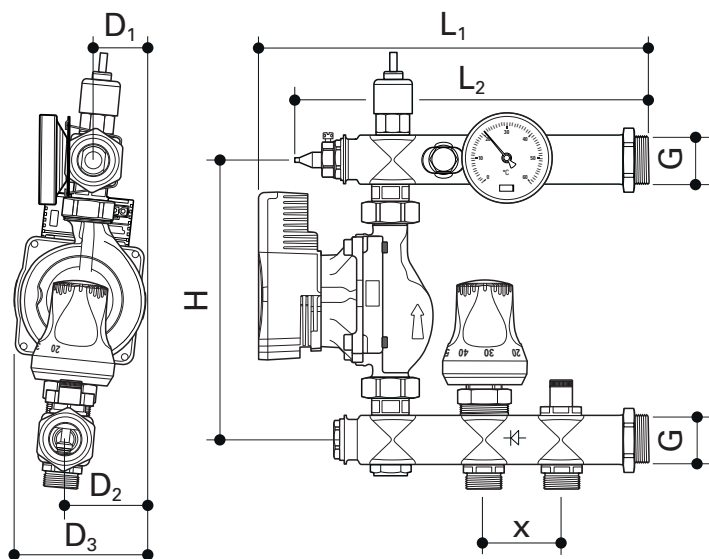
2-way zone valve for a manifold based temperature control system with only one room thermostat.

Cat. no.	Description	G ["]	DN [mm]	Rp ["]	R ["]	A [mm]	B [mm]	C [mm]	D ₃ [mm]	Weight [kg]	QTY [pcs]	Gross ¹⁾ [€]
79506082	2-way zone valve, DN25, Kvs 2.6	1	25	1	1	68	35	46.5	92	0.42	1	37,50

**profitherm fixed-value mixing unit M2 with pump**

Compact control station for constant flow temperature regulation of radiant heating (fixed-value temperature regulation). The regulation set is intended for the use in a manifold cabinet and is installed directly at the heating circuit manifold.

Cat. no.	Description	G ["]	L ₁ [mm]	L ₂ [mm]	X [mm]	H [mm]	D ₁ [mm]	D ₂ [mm]	D ₃ [mm]	Weight [kg]	QTY [pcs]	Gross ¹⁾ [€]
79503233	flat-sealing G1	1	276	234	55	200	32	52	89	4.50	1	560,00



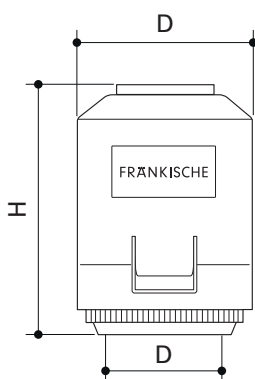
ff-therm® / profitherm®

**profitherm actuator**

Actuator for the profitherm heating circuit manifold for room-specific regulation in connection with profitherm room thermostat and profitherm base station.

- 1 m cable length
- With first open function

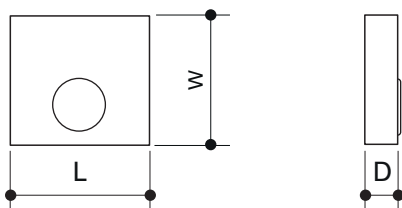
Cat. no.	Description	G [M]	D _o [mm]	H [mm]	Weight [kg]	QTY [pcs]	Gross ¹⁾ [€]
79506027	normally closed 230 V	30x1.5	49.4	59.1	0.100	1	32,50
79506028	normally closed 24 V	30x1.5	49.4	59.1	0.100	1	32,50

**profitherm analogue room thermostat - wired**

Analogue room thermostat for room-specific regulation in connection with profitherm actuator and profitherm base station.

- Wired
- For heating purposes
- Maximum number of actuators: 5

Cat. no.	Description	L [mm]	W [mm]	D [mm]	Weight [kg]	QTY [pcs]	Gross ¹⁾ [€]
79506037	standard 230 V analogue	86	86	29	0.100	1	40,00
79506062	standard 24 V analogue	86	86	29	0.100	1	40,00



ff-therm® / profitherm®

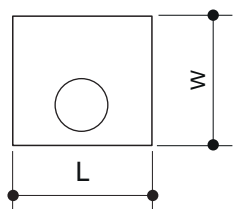


profitherm digital room thermostat - wired

Digital room thermostat for room-specific regulation in connection with profitherm actuator and profitherm base station.

- Wired
- For heating purposes
- Maximum number of actuators: 5

Cat. no.	Description	L [mm]	W [mm]	D [mm]	Weight [kg]	QTY [pcs]	Gross ¹⁾ [€]
79506029	standard 230 V, white	86	86	31	0.115	1	45,00
79506033	standard 24 V, white	86	86	31	0.115	1	45,00

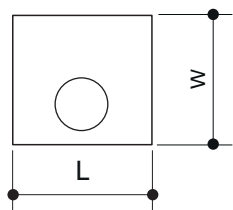


profitherm digital room thermostat - wired

Room thermostat for room-specific regulation in connection with profitherm actuator and profitherm base station.

- Wired
- For heating purposes
- Maximum number of actuators: 5

Cat. no.	Description	L [mm]	W [mm]	D [mm]	Weight [kg]	QTY [pcs]	Gross ¹⁾ [€]
79506030	standard 230 V, with design panel	86	86	31	0.115	1	50,00



ff-therm® / profitherm®

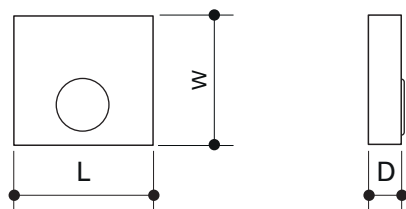


profitherm digital room thermostat - wired

Room thermostat for room-specific regulation in connection with profitherm actuator and profitherm base station.

- Wired
- For heating / cooling purposes
- Integrated weekly timer
- Maximum number of actuators: 5

Cat. no.	Description	L [mm]	W [mm]	D [mm]	Weight [kg]	QTY [pcs]	Gross ¹⁾ [€]
79506031	control 230 V, white	86	86	31	0.115	1	95,00
79506035	control 24 V, white	86	86	31	0.115	1	95,00

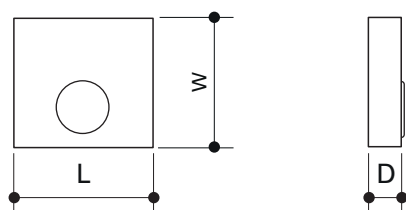


profitherm digital room thermostat - wired

Digital room thermostat for room-specific regulation in connection with profitherm actuator and profitherm base station.

- Wired
- For heating / cooling purposes
- Integrated weekly timer
- Maximum number of actuators: 5

Cat. no.	Description	L [mm]	W [mm]	D [mm]	Weight [kg]	QTY [pcs]	Gross ¹⁾ [€]
79506032	control 230 V, with design panel	86	86	31	0.115	1	105,00
79506036	control 24 V, with design panel	86	86	31	0.115	1	105,00



ff-therm® / profitherm®

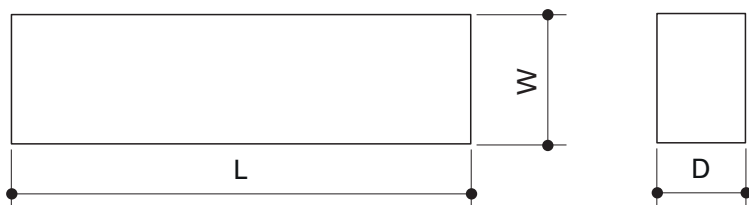
profitherm base station



Base station standard for room-specific regulation in connection with profitherm actuator and profitherm room thermostat.

- Connection: 24 V* and 230 V
- Maximum number of room thermostats: 6/10
- Maximum number of actuators: 15/21

Cat. no.	Description	L [mm]	W [mm]	D [mm]	Weight [kg]	QTY [pcs]	Gross ¹⁾ [€]
79506038	standard 6 zones 24 V + 230 V	327	94	56	0.56	1	74,00
79506039	standard 10 zones 24 V + 230 V	327	94	56	0.56	1	84,00



* For 24 V installation a profitherm transformer (Cat. no. 79506044) has to be ordered separately

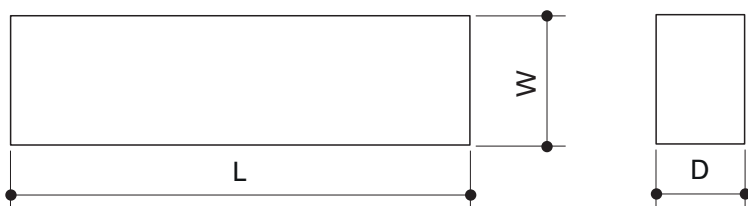
profitherm base station



Base station standard plus for room-specific regulation in connection with profitherm actuator and profitherm room thermostat.

- Connection: 24 V* or 230 V
- Additional connections for pump control, heating/cooling change over and a temperature limiter or dew point sensor
- Maximum number of room thermostats: 6/10
- Maximum number of actuators: 15/21

Cat. no.	Description	L [mm]	W [mm]	D [mm]	Weight [kg]	QTY [pcs]	Gross ¹⁾ [€]
79506040	standard plus 6 zones 230 V	327	94	56	0.676	1	88,00
79506042	standard plus 6 zones 24 V	327	94	56	0.676	1	88,00
79506041	standard plus 10 zones 230 V	327	94	56	0.676	1	98,00
79506043	standard plus 10 zones 24 V	327	94	56	0.676	1	98,00

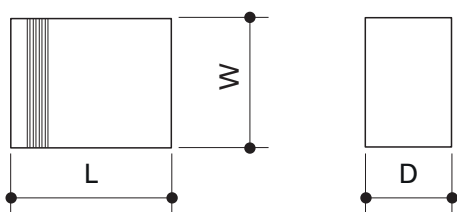


ff-therm® / profitherm®

**profitherm transformer**

Transformer from 230 V to 24 V for base stations with 24 V.

Cat. no.	Description	L [mm]	W [mm]	D [mm]	Weight [kg]	QTY [pcs]	Gross ¹⁾ [€]
79506044	for base 24 V	70	80	70	0.831	1	59,00



* For 24 V installation a profitherm transformer (Cat. no. 79506044) has to be ordered separately

**profitherm external sensor**

In connection with 230 V profitherm control room thermostats.

Cat. no.	Description	L [m]	W [mm ²]	Weight [kg]	QTY [pcs]	Gross ¹⁾ [€]
79506045	NTC with 22 kΩ, IP 67	3	2x0.75	0.10	1	32,00

ff-therm® / profitherm®

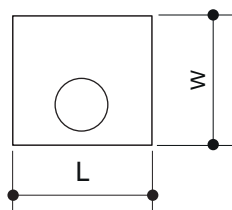


profitherm digital room thermostat RF - wireless

Wireless room thermostat for room-specific regulation in connection with profitherm actuator and profitherm base station RF.

- 868 MHz system
- For heating / cooling purposes
- Integrated weekly timer

Cat. no.	Description	L [mm]	W [mm]	D [mm]	Weight [kg]	QTY [pcs]	Gross ¹⁾ [€]
79506030	standard 230 V, with design panel	86	86	31	0.115	1	149,00

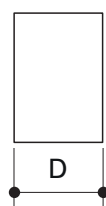
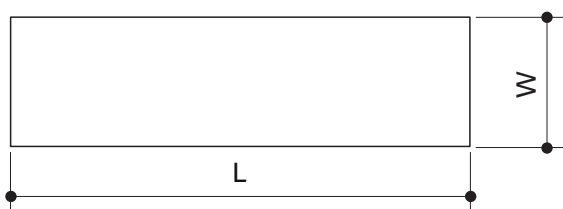


profitherm base station RF - wireless

Wireless base station for room-specific regulation in connection with profitherm actuator and profitherm RF room thermostat

- Connection: 230 V
- 868 MHz system
- Additional connections for pump control, heating/cooling change over and a temperature limiter or dew point sensor
- Optional: Ethernet interface for the integration of the base station into the home network
- Maximum number of room thermostats: 8
- Maximum number of actuators: 12

Cat. no.	Description	L [mm]	W [mm]	D [mm]	Weight [kg]	QTY [pcs]	Gross ¹⁾ [€]
79506050	wireless 8 zones 230 V	290	75	52	0.900	1	429,00
79506051	wireless 8 zones 230 V, with ethernet connection	290	75	52	0.948	1	519,00



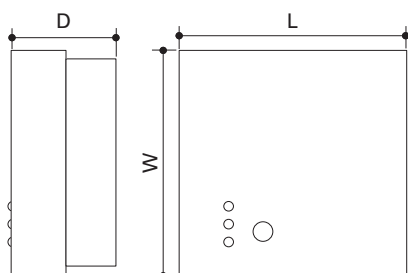
ff-therm® / profitherm®



profitherm active antenna

In connection with profitherm base station RF. It serves for extending the radio range of the base station.

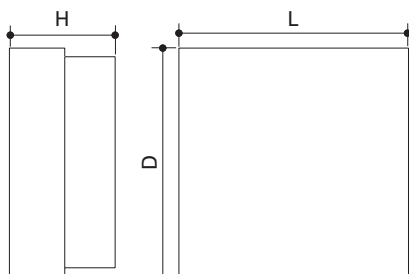
Cat. no.	Description	L [mm]	W [mm]	D [mm]	Weight [kg]	QTY [pcs]	Gross ¹⁾ [€]
79506054	Active antenna	76	76	35	0.56	1	235,00



profitherm repeater

In connection with profitherm base station RF as well as with the corresponding room thermostats RF. It serves for extending the radio range of the base station.

Cat. no.	Description	L [mm]	W [mm]	D [mm]	Weight [kg]	QTY [pcs]	Gross ¹⁾ [€]
79506055	Repeater	76	76	35	0.56	1	243,00





© www.adbestock.de

FRÄNKISCHE

FRÄNKISCHE Rohrwerke Gebr. Kirchner GmbH & Co. KG | Hellinger Str. 1 | 97486 Königsberg/Germany
Phone +49 9525 88-2200 | Fax +49 9525 88-92200 | marketing@fraenkische.de | www.fraenkische.com

EN.70011/2.07.20 | Subject to change without notice | 07/2020

